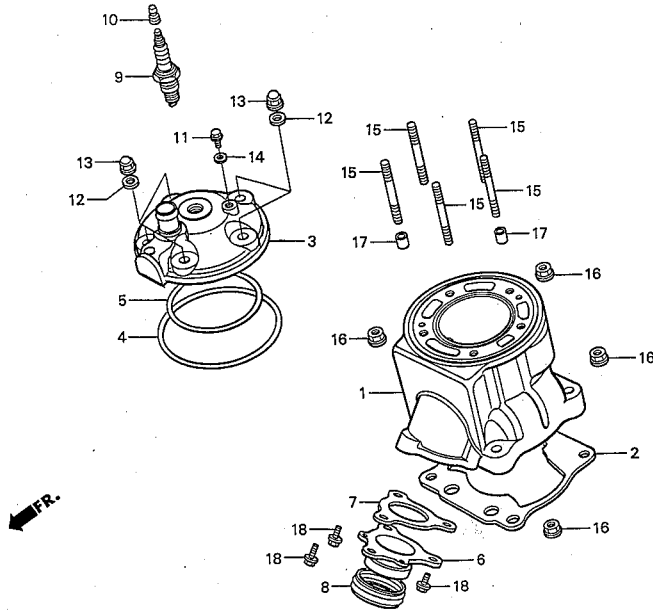


Block No.

E-1

**Cylinder • Cylinder head
2001 RS125R
2002 RS125R**

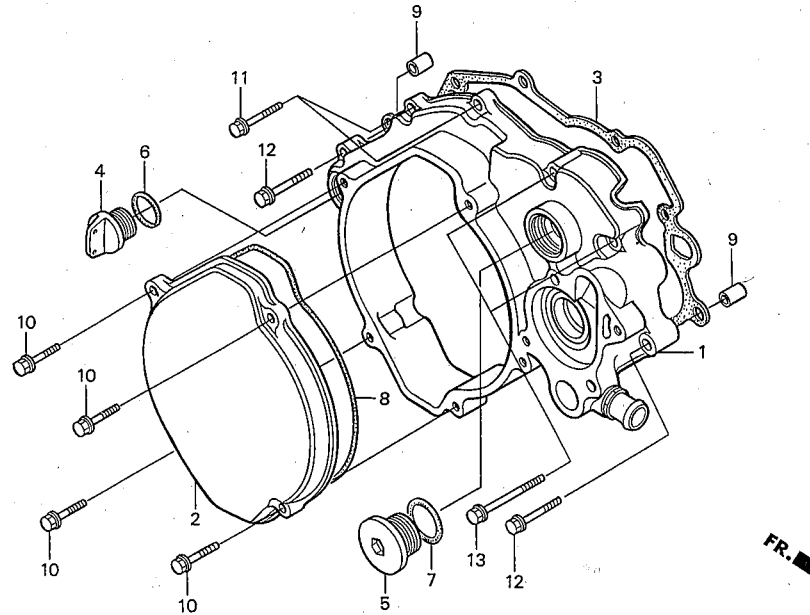


Ref. No.	Part No.	Description	Reqd. No. '01	Reqd. No. '02	Remarks	Ref. No.	Part No.	Description	Reqd. No. '01	Reqd. No. '02	Remarks
• 1	12100-NX4-710	CYLINDER COMP.	(1)	—		15	92900-08028-0E	BOLT, stud II, 8 × 28	5	5	
•	12100-NX4-810	CYLINDER COMP.	1	1		16	94050-08000	NUT, flange, 8 mm	4	4	
• 2	12194-NX4-781	GASKET, cylinder 0.4T	(1)	(1)		17	94301-06100	DOWEL PIN, 6 × 10	2	2	
•	12195-NX4-781	GASKET, cylinder 0.5T	1	1		18	96001-06014-07	BOLT, flange, SH, 6 × 14	3	3	
•	12196-NX4-781	GASKET, cylinder 0.6T	(1)	(1)							
• 3	12200-NX4-710	HEAD COMP., cylinder	1	1							
• 4	12212-ND5-003	O-RING, 96 × 2.4	1	1							
• 5	12213-ND5-000	O-RING, 61 × 1.9	1	1							
• 6	18220-NX4-000	JOINT COMP., exhaust pipe	1	1							
• 7	18331-NF4-780	GASKET, exhaust joint	1	1							
8	18359-KS7-000	SEAL, exhaust pipe	1	1							
• 9	31901-NX4-701	SPARK PLUG, R6385-105P	1	1							
•	31902-NX4-701	SPARK PLUG, R6385-11P	(1)	(1)							
•	31903-NX4-701	SPARK PLUG, R6385-10P	(1)	(1)							
• 10	31910-NF4-000	NUT, spark plug	(1)	(1)							
• 11	90037-NX5-000	BOLT, water check 6 × 10	1	1							
12	90441-422-000	WASHER, sealing, 8 mm	5	5							
13	90443-107-000	NUT, cap, 8 mm	5	5							
14	90543-273-000	PACKING, front fork drain valve	1	1							

Block No.

E-2

**R. crankcase cover
2001 RS125R
2002 RS125R**

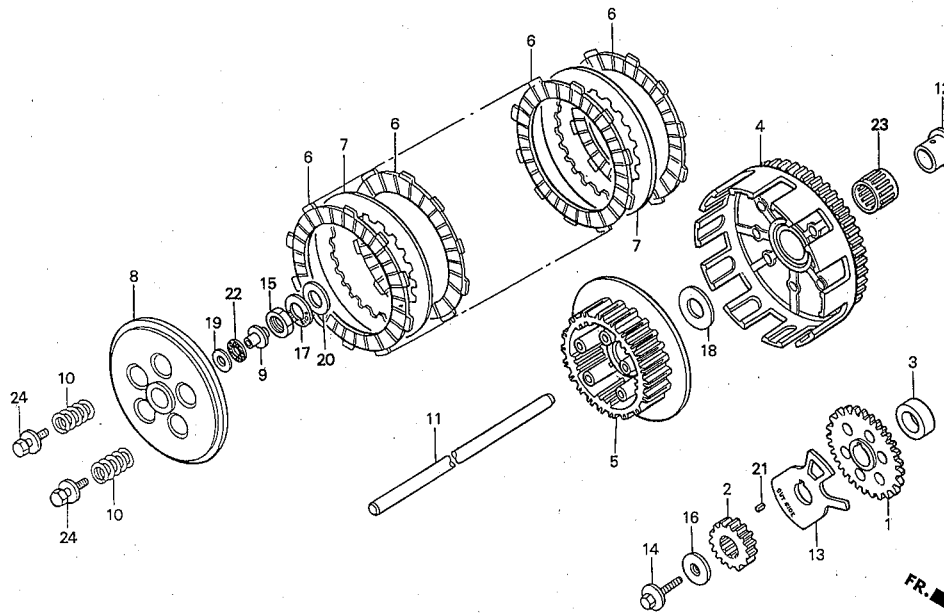


Ref. No.	Part No.	Description	Reqd. No.		Remarks	Ref. No.	Part No.	Description	Reqd. No.		Remarks
			'01	'02					'01	'02	
• 1	11340-NX4-700	COVER COMP., R. crankcase	1	1							
• 2	11341-NX4-700	COVER, clutch	1	1							
• 3	11394-NX4-003	GASKET, R. cover	1	1							
• 4	15611-NF4-900	CAP, oil filler	1	1							
5	90087-HB5-000	CAP, 30 mm	1	1							
6	91304-MJ0-003	O-RING	1	1							
7	91305-KF0-003	O-RING, 27 x 2	1	1							
8	91311-KS6-700	O-RING, special	1	1							
9	94301-08100	DOWEL PIN, 8 x 10	2	2							
10	96001-06020-07	BOLT, flange, SH, 6 x 20	5	5							
11	96001-06025-00	BOLT, flange, SH, 6 x 25	7	7							
12	96001-06032-00	BOLT, flange, SH, 6 x 32	2	2							
13	96001-06040-00	BOLT, flange, SH, 6 x 40	2	2							

Block No.

E-3

Primary drive gear • Clutch 2001 RS125R 2002 RS125R

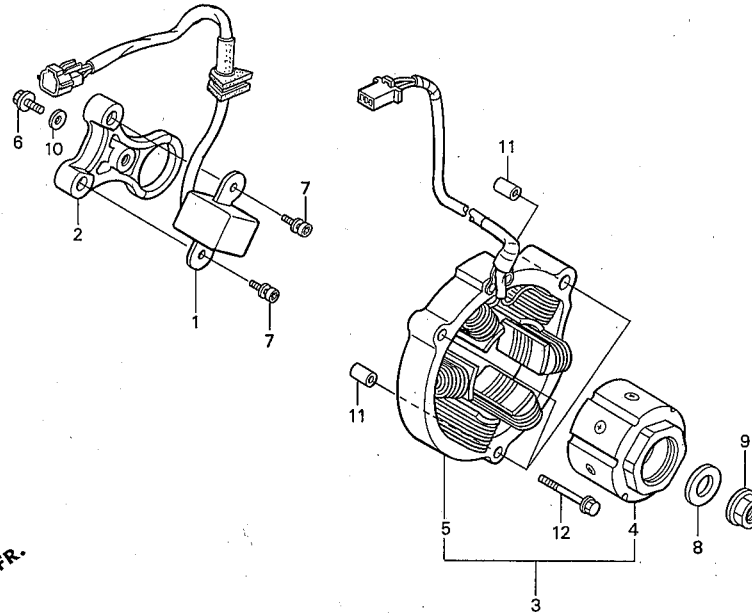


Ref. No.	Part No.	Description	Reqd. '01	No. '02	Remarks	Ref. No.	Part No.	Description	Reqd. '01	No. '02	Remarks	
• 1	13411-NX4-700	GEAR, balancer drive	1	1	Side mark "B"	20	90456-KA4-000	WASHER, thrust, 18 x 32 mm	1	1		
• 2	13615-NX4-000	GEAR, primary drive	1	1		• 21	90701-NX4-700	KEY, 4 x 5 x 6.5	1	1		
• 3	13617-NX4-700	COLLAR, drive gear	1	1		22	91001-147-003	BEARING, needle, 12 mm	1	1		
• 4	22100-NX4-700	OUTER COMP., clutch	1	1			91001-147-006	BEARING, needle, 12 mm	1	1		
• 5	22120-NX4-000	CENTER, clutch	1	1			23	91104-PL9-008	BEARING, needle, 26 x 31 x 22	1	1	
• 6	22201-NX4-000	DISK, clutch friction	7	7			24	90047-PH7-000	BOLT-WASHER, 6 x 22	5	5	
7	22321-KF0-770	PLATE, clutch	6	6								
• 8	22351-NF4-760	PLATE, clutch pressure	1	1								
• 9	22352-NX4-700	PIECE, clutch lifter	1	1								
10	22401-KZ4-A90	SPRING, clutch	5	5								
•	22401-NX4-000	SPRING, clutch	(5)	—								
• 11	22850-NX4-000	ROD, clutch lifter	1	1								
• 12	28237-NX4-000	COLLAR, distance, 20 x 26 x 26	1	1								
• 13	30290-NX4-010	PLATE, pulser	1	1								
14	90013-430-000	BOLT, special, 10 x 25	1	1								
15	90235-KA4-000	NUT, 18 mm	1	1								
• 16	90401-NF4-780	WASHER, 10 x 30 x 3.5	1	1								
17	90432-428-000	WASHER, lock	1	1								
• 18	90451-NX4-000	WASHER, thrust, 20 mm	1	1								
19	90452-147-003	WASHER, thrust, 12 mm	1	1								

Block No.

E-4

**Pulse generator •
A.C. generator
2001 RS125R
2002 RS125R**

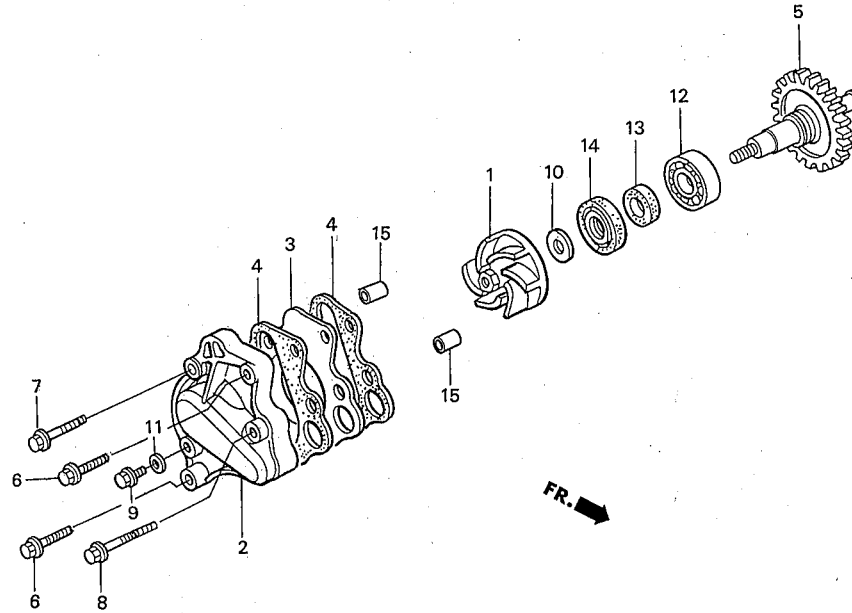


Ref. No.	Part No.	Description	Reqd. '01	No. '02	Remarks	Ref. No.	Part No.	Description	Reqd. '01	No. '02	Remarks
• 1	30300-NX4-003	PULSE GENERATOR ASSY.	1	1							
• 2	30305-NX4-000	BASE, pulse generator	1	1							
• 3	31100-NX4-013	A.C. GENERATOR ASSY.	1	1							
• 4	31110-NX4-003	ROTOR COMP.	1	1							
• 5	31120-NX4-013	STATOR COMP.	1	1							
6	90001-GHB-630	BOLT, flange, SHF, 6 × 16	1	1							
7	90089-KAS-900	BOLT, flange, socket, 5 × 14	2	2							
8	90465-MM9-000	WASHER, 10 mm	1	1							
9	94050-10000	NUT, flange, 10 mm	1	1							
10	94101-06000	WASHER, plain, 6 mm	1	1							
11	94301-08100	DOWEL PIN, 8 × 10	2	2							
12	96001-06032-00	BOLT, flange, SH, 6 × 32	3	3							

Block No.

E-5

**Water pump
2001 RS125R
2002 RS125R**

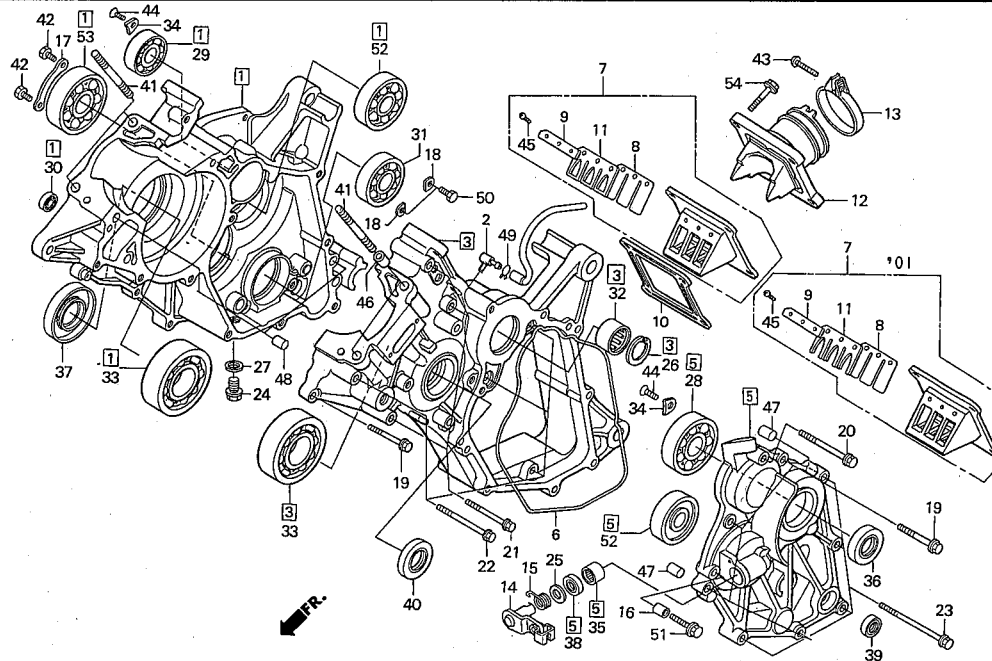


Ref. No.	Part No.	Description	Reqd. No.		Remarks	Ref. No.	Part No.	Description	Reqd. No.		Remarks
			'01	'02					'01	'02	
1	19215-KA3-740	IMPELLER, water pump	1	1							
• 2	19221-KA3-760	COVER, water pump	1	1							
• 3	19222-NX4-000	SEPARATOR, water pump	1	1							
• 4	19229-NX4-003	GASKET, water pump	2	2							
• 5	19240-NX4-010	SHAFT COMP., water pump	1	1							
6	90002-GHB-670	BOLT, flange, SHF, 6 × 25	2	2							
7	90002-GHB-690	BOLT, flange, SHF, 6 × 32	1	1							
8	90002-GHB-710	BOLT, flange, SHF, 6 × 40	1	1							
• 9	90037-NX5-000	BOLT, water check, 6 × 10	1	1							
10	90447-KE1-000	WASHER, sealing, 7 mm	1	1							
11	90543-273-000	PACKING, front fork drain valve	1	1							
12	91007-KA3-740	BEARING, ball, 12 × 24 × 6	1	1							
13	91201-965-000	OIL SEAL, 12 × 22 × 5	1	1							
14	91211-KA3-761	SEAL, water pump	1	1							
15	94301-08140	DOWEL PIN, 8 × 14	2	2							

Block No.

E-6

**Crankcase
2001 RS125R
2002 RS125R**

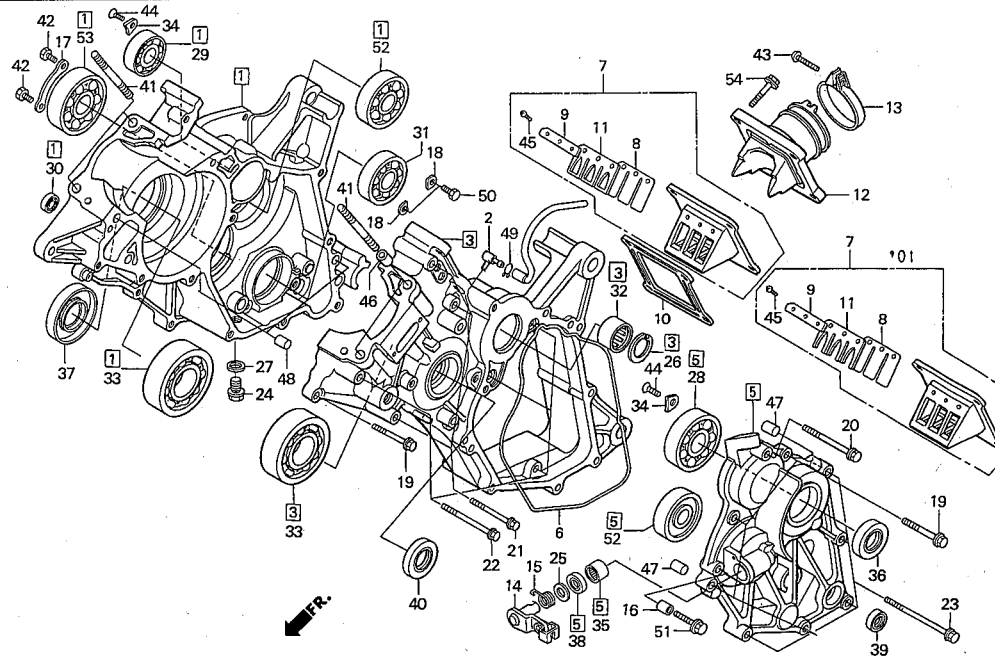


Ref. No.	Part No.	Description	Reqd. No. '01	Reqd. No. '02	Remarks	Ref. No.	Part No.	Description	Reqd. No. '01	Reqd. No. '02	Remarks
• 1	11100-NX4-710	CRANKCASE COMP., R.	1	1		18	23521-KW3-000	BEARING SET PLATE A	2	2	
• 2	11106-GM2-300	JOINT, breather	1	1		19	90001-GHB-670	BOLT, flange, SHF, 6 x 25	5	5	
• 3	11200-NX4-780	CRANKCASE COMP., L.	1	1		20	90001-GHB-720	BOLT, flange, SHF, 6 x 45	1	1	
• 4	11206-NX4-770	TUBE, breather	1	1		21	90001-GHB-740	BOLT, flange, SHF, 6 x 55	4	4	
• 5	11310-NX4-000	COVER COMP., L. crankcase	1	—		22	90001-GHB-760	BOLT, flange, SHF, 6 x 65	4	4	
•	11310-NX4-810	COVER COMP., L. crankcase	—	1		23	90001-GHB-790	BOLT, flange, SHF, 6 x 80	4	4	
• 6	11315-NX4-000	O-RING, L. cover	1	1		• 24	90081-NX4-700	BOLT, drain, 12 mm	1	1	
• 7	14100-NX4-710	VALVE ASSY., reed	(1)	—		25	90401-430-000	WASHER, 10.2	1	1	
•	14100-NX4-811	VALVE ASSY., reed	1	1		• 26	90601-NX4-700	CIRCLIP, internal, 37 mm	1	1	
• 8	14111-NF5-000	REED VALVE ONLY	2	2		27	90601-ZE2-000	WASHER, plug, drain 12 mm	1	1	
• 9	14121-NX4-003	STOPPER, reed valve	2	2		28	91001-KA3-711	BEARING, ball, 6204	1	1	
• 10	14132-NF4-651	GASKET, reed valve	1	1		• 29	91001-NX4-711	BEARING, ball radial, 15 x 42 x 11.5	1	1	
• 11	14141-NX4-710	DAMPER, read valve	(2)	—		30	91002-KA4-003	BEARING, ball, 7 x 19 x 6	1	1	
•	14141-NX4-811	DAMPER, read valve	2	2		31	91004-KY4-900	BEARING, ball radial, 6905U	1	1	
• 12	16210-NX4-780	INSULATOR, carburetor	1	1		• 32	91005-NX4-701	BEARING, needle, 28 x 37 x 17	1	1	
13	16223-KA5-690	BAND, insulator	1	1		33	91006-KY4-903	BEARING, ball radial 63/05/special	2	2	
14	22810-KS6-700	LIFTER COMP., clutch	1	1		34	91012-KA3-710	PLATE, counter shaft bearing	2	2	
15	22815-KS6-700	SPRING, clutch lever	1	1		• 35	91012-KS6-003	BEARING, needle, 10 x 14 x 15	1	1	
• 16	22819-NX4-000	STOPPER COLLAR, clutch lifter	1	1							
17	23521-HB6-000	PLATE, bearing set	1	1							

Block No.

E-6

**Crankcase
2001 RS125R
2002 RS125R**

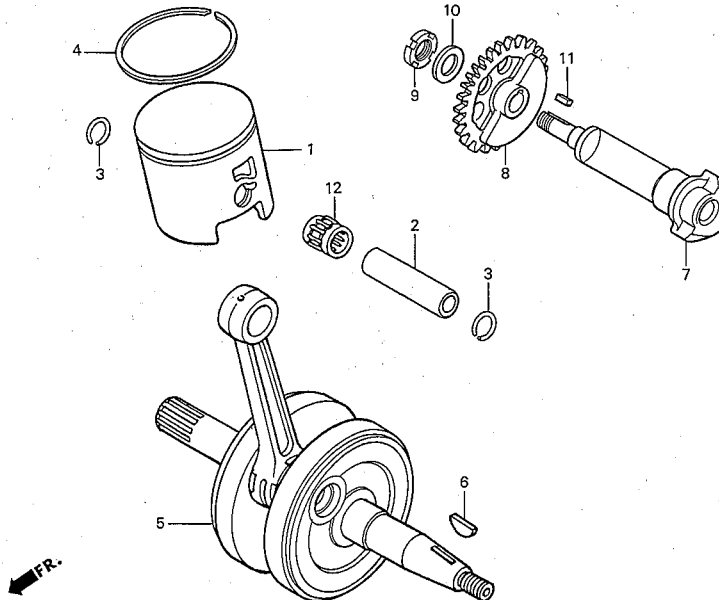


Ref. No.	Part No.	Description	Reqd. No. '01 '02	Remarks	Ref. No.	Part No.	Description	Reqd. No. '01 '02	Remarks
36	91201-KS6-004	OIL SEAL, 26 x 37 x 7	1 1						
• 37	91201-NX4-003	OIL SEAL, 32 x 48 x 8	1 1						
38	91202-KA3-711	OIL SEAL, 10 x 17 x 4	1 1						
39	91203-KK3-830	OIL SEAL, 14 x 22 x 5	1 1						
40	91205-166-004	OIL SEAL, 20 x 32 x 7	1 1						
41	92900-08040-3E	BOLT, stud 2.8 x 40	4 4						
42	93301-06012-0A	BOLT, hex., 6 x 12	2 2						
43	93500-05028-0A	SCREW, pan, 5 x 28	1 1						
44	93600-06012-0A	SCREW, flat, 6 x 12	2 2						
45	93892-03008-08	SCREW-WASHER, 3 x 8	6 6						
46	94301-10160	DOWEL PIN, 10 x 16	2 2						
47	94303-06100	DOWEL PIN, 6 x 10	2 2						
48	94303-08140	DOWEL PIN, 8 x 14	2 2						
49	95002-02070	CLIP B7, tube	1 1						
50	96001-06012-00	BOLT, flange, SH, 6 x 12	2 2						
51	96001-06025-07	BOLT, flange, SH, 6 x 25	1 1						
52	96120-62030-00	BEARING, ball radial, 6203Z	2 2						
53	96120-62040-00	BEARING, ball radial, 6204Z	1 1						
54	96300-06022-00	BOLT, flange, DR, 6 x 22	4 4						

Block No.

E-7

Piston • Crankshaft • Balancer 2001 RS125R 2002 RS125R

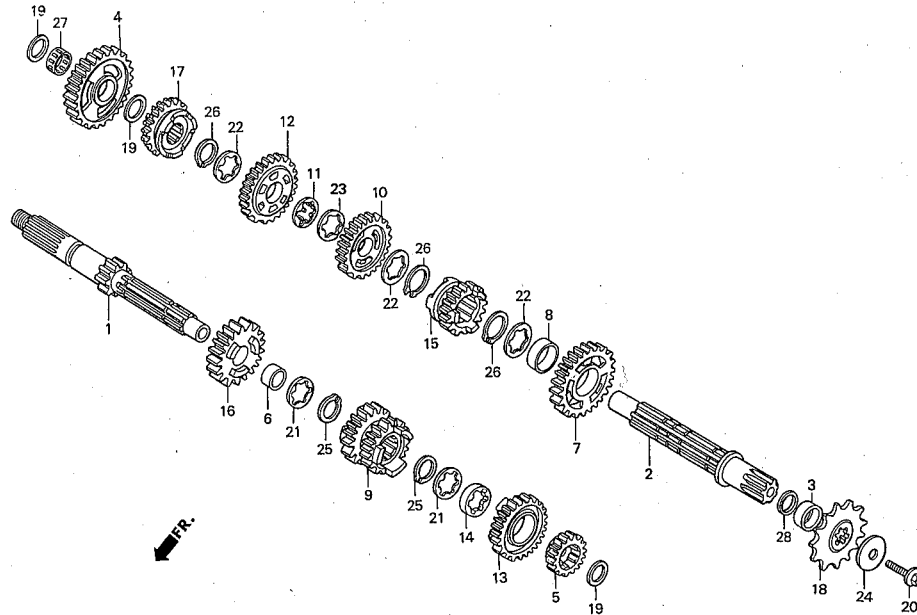


Ref. No.	Part No.	Description	Reqd. No. '01	Reqd. No. '02	Remarks	Ref. No.	Part No.	Description	Reqd. No. '01	Reqd. No. '02	Remarks
• 1	13100-NX4-780	PISTON COMP.	1	1							
• 2	13111-KV3-000	PIN, piston	1	1							
• 3	13112-NX5-700	CLIP, piston pin, 15 mm	2	2							
• 4	13121-NX4-811	RING, piston	1	1							
• 5	13121-NX5-701	RING, piston	(1)	—							
• 5	13300-NX4-710	CRANKSHAFT COMP.	1	1							
• 6	13331-360-000	KEY, special woodruff, 25 x 14	1	1							
• 7	13421-NX4-700	SHAFT, balancer	1	1							
• 8	13431-NX4-000	GEAR, balancer driven	1	1							
• 9	90231-KY4-900	NUT, lock, 14 mm	1	1							
• 10	90433-KE1-000	WASHER, 14 mm	1	1							
• 11	90701-NX5-000	KEY, 4 x 4 x 7	1	1							
• 12	91101-NX5-023	BEARING, conn-rod small end	1	1							

Block No.

E-8

**Transmission
2001 RS125R
2002 RS125R**

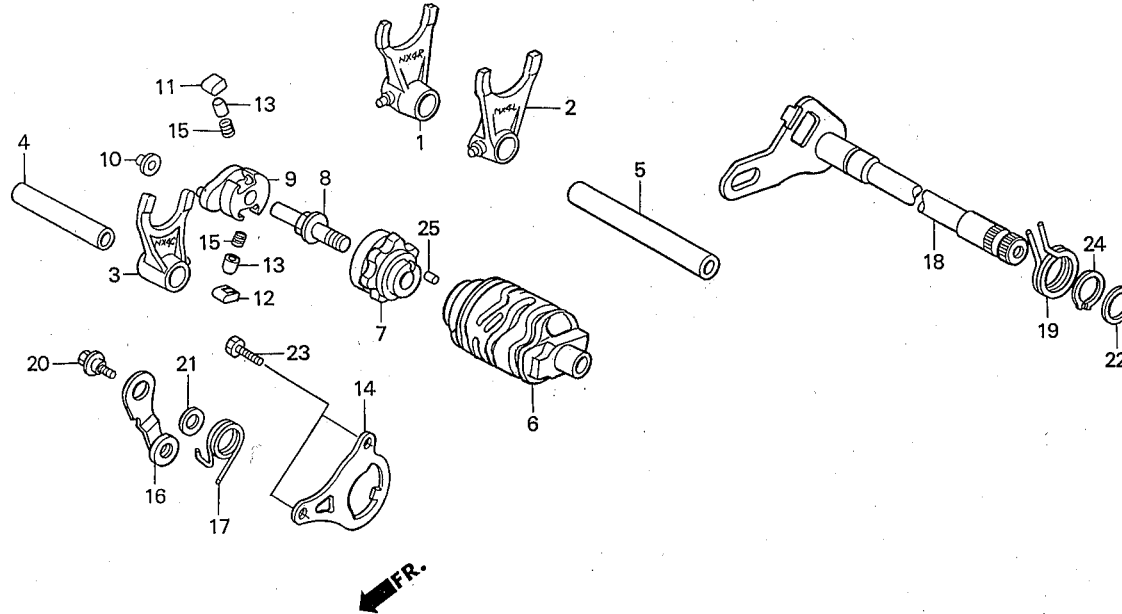


Ref. No.	Part No.	Description	Reqd. '01	No. '02	Remarks	Ref. No.	Part No.	Description	Reqd. '01	No. '02	Remarks
• 1	23211-NX4-000	SHAFT COMP., main	1	1	16T	• 8	23432-NF4-750	COLLAR, 22 x 25 x 9	1	1	
•	23213-NX4-000	SHAFT COMP., main, plan-3	(1)	(1)	16T	• 9	23441-NX4-000	GEAR, M-3rd/4th	1	1	23T/24T
•	23214-NX4-000	SHAFT COMP., main, plan-4	(1)	(1)	17T	•	23441-NX4-610	GEAR, M-3rd (plan-4), 4th (plan-3)	(1)	(1)	22T/22T
•	23215-NX4-000	SHAFT COMP., main, plan-5	(1)	(1)	16T	•	23442-NX4-000	GEAR, M-3rd (plan-2), 4th	(1)	(1)	20T/24T
• 2	23221-NX4-000	SHAFT, counter	1	1		•	23442-NX4-610	GEAR, M-3rd (plan-4), 4th (plan-4)	(1)	(1)	22T/21T
• 3	23225-NX4-000	COLLAR, counter shaft	1	1		•	23443-NX4-000	GEAR, M-3rd, 4th (plan-3)	(1)	(1)	23T/22T
• 4	23411-NX4-000	GEAR, C-1st	1	1	30T	•	23443-NX4-610	GEAR, M-3rd (plan-4), 4th (plan-6)	(1)	(1)	22T/20T
•	23412-NX4-000	GEAR, C-1st, plan-2	(1)	(1)	31T	•	23444-NX4-000	GEAR, M-3rd (plan-2), 4th (plan-3)	(1)	(1)	20T/22T
•	23413-NX4-000	GEAR, C-1st, plan-3	(1)	(1)	32T	•	23444-NX4-610	GEAR, M-3rd (plan-6), 4th	(1)	(1)	21T/24T
•	23414-NX4-000	GEAR, C-1st, plan-4	(1)	(1)	30T	•	23445-NX4-000	GEAR, M-3rd, 4th (plan-4)	(1)	(1)	23T/21T
•	23415-NX4-000	GEAR, C-1st, plan-5	(1)	(1)	29T	•	23445-NX4-610	GEAR, M-3rd (plan-6), 4th (plan-3)	(1)	(1)	21T/22T
• 5	23421-NX4-000	GEAR, M-2nd	1	1	21T	•	23446-NX4-000	GEAR, M-3rd, 4th (plan-6)	(1)	(1)	23T/20T
•	23422-NX4-000	GEAR, M-2nd, plan-2	(1)	(1)	18T	•	23446-NX4-610	GEAR, M-3rd (plan-6), 4th (plan-4)	(1)	(1)	21T/21T
•	23423-NX4-000	GEAR, M-2nd, plan-3	(1)	(1)	19T	•	23447-NX4-000	GEAR, M-3rd (plan-2), 4th (plan-4)	(1)	(1)	20T/21T
•	23424-NX4-000	GEAR, M-2nd, plan-4	(1)	(1)	17T	•	23447-NX4-610	GEAR, M-3rd (plan-6), 4th (plan-6)	(1)	(1)	21T/20T
•	23425-NX4-000	GEAR, M-2nd, plan-5	(1)	(1)	18T	•	23448-NX4-000	GEAR, M-3rd (plan-2), 4th (plan-6)	(1)	(1)	20T/20T
6	23422-GB4-770	BUSH, 20 x 9	1	1		•	23449-NX4-000	GEAR, M-3rd (plan-4), 4th	(1)	(1)	22T/24T
• 7	23431-NX4-700	GEAR, C-2nd	1	1	32T	• 10	23451-NX4-680	GEAR, C-3rd	1	1	30T
•	23433-NX4-700	GEAR, C-2nd, plan-3	(1)	(1)	28T	•	23452-NX4-680	GEAR, C-3rd, plan-2	(1)	(1)	27T
•	23434-NX4-700	GEAR, C-2nd, plan-4	(1)	(1)	29T	•	23453-NX4-680	GEAR, C-3rd, plan-3	(1)	(1)	29T
•	23435-NX4-700	GEAR, C-2nd, plan-5	(1)	(1)	28T	•	23454-NX4-680	GEAR, C-3rd, plan-4	(1)	(1)	31T
•	23436-NX4-700	GEAR, C-2nd, plan-6	(1)	(1)	27T	•	23455-NX4-680	GEAR, C-3rd, plan-5	(1)	(1)	29T
						•	23456-NX4-680	GEAR, C-3rd, plan-6	(1)	(1)	27T

Block No.

E-9

**Gear shift fork •
Gear shift drum
2001 RS125R
2002 RS125R**

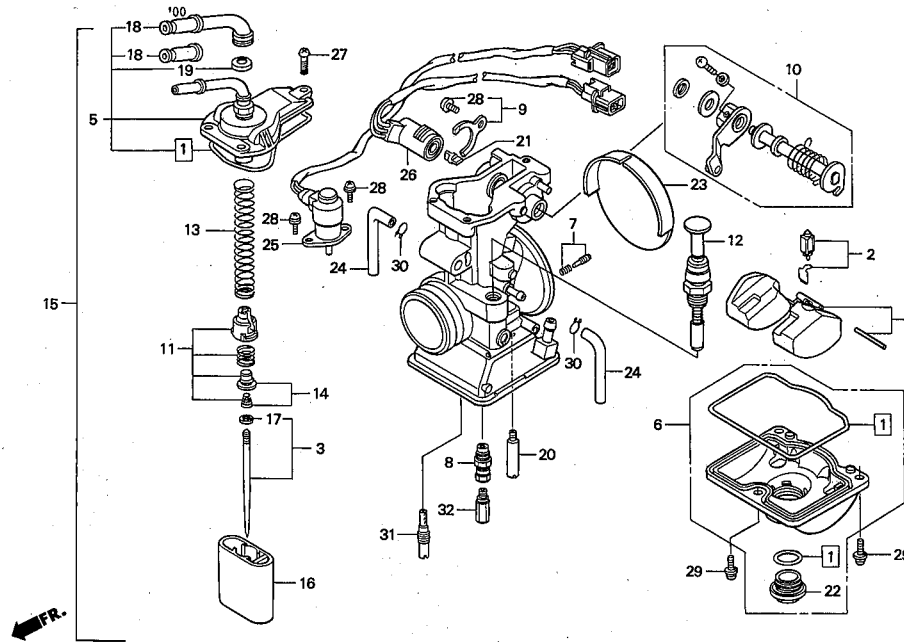


Ref. No.	Part No.	Description	Reqd. No. '01	No. '02	Remarks	Ref. No.	Part No.	Description	Reqd. No. '01	No. '02	Remarks
• 1	24211-NX4-000	FORK, R. gear shift	1	1		20	90022-MG8-000	PIVOT, shift drum stopper arm	1	1	
• 2	24221-NX4-000	FORK, L. gear shift	1	1		21	90435-HB3-000	WASHER, 6.1 mm	1	1	
• 3	24231-NX4-000	FORK, C. gear shift	1	1		22	90451-155-000	WASHER, 14 mm	1	1	
• 4	24265-NX4-000	SHAFT, shift fork M.	1	1		23	93301-06012-0A	BOLT, hex., 6 × 12	2	2	
• 5	24266-NX4-000	SHAFT, shift fork C.	1	1		24	94510-14000	CIRCLIP, external, 14	1	1	
• 6	24311-NX4-000	DRUM, gear shift	1	1		25	96220-40080	ROLLER, 4 × 8	1	1	
7	24312-KA3-741	CENTER, shift drum	1	1							
8	24315-HA0-000	PIN, shifter	1	1							
9	24321-KZ4-620	SHIFTER, drum	1	1							
10	24322-HA0-000	COLLAR, shifter	1	1							
11	24324-KA3-711	PAWL A, ratchet	1	1							
12	24325-KA3-711	PAWL B, ratchet	1	1							
13	24326-KBH-901	PLUNGER, pawl	2	2							
• 14	24328-NX4-000	PLATE, guide	1	1							
15	24329-KA3-740	SPRING, pawl plunger	2	2							
16	24430-KA3-740	STOPPER COMP., drum	1	1							
• 17	24435-NF4-760	SPRING, drum stopper	1	1							
• 18	24610-NX4-000	SPINDLE COMP., shift	1	1							
• 19	24651-NX4-710	SPRING, shift return	1	1							

Block No.

E-10

**Carburetor
2001 RS125R
2002 RS125R**

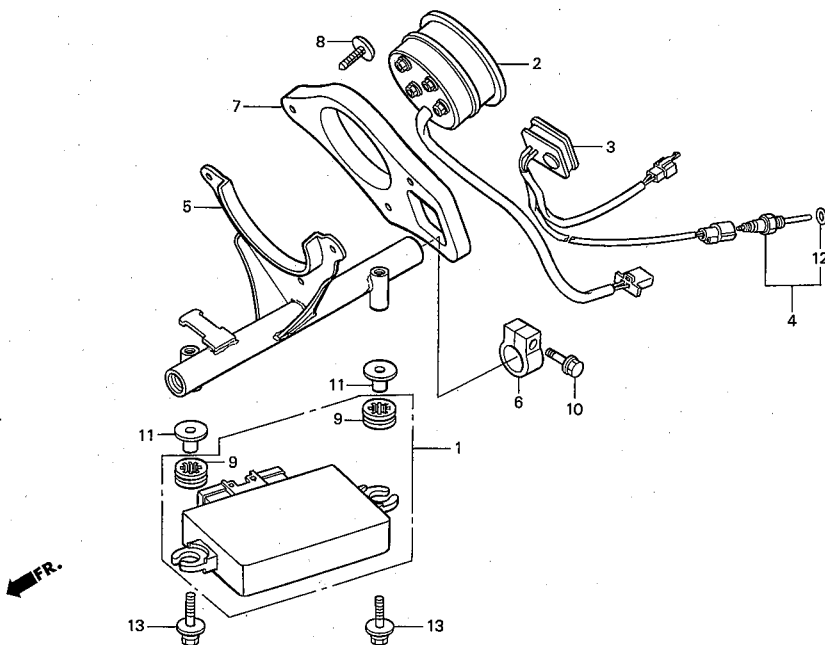


Ref. No.	Part No.	Description	Reqd. '01	No. '02	Remarks	Ref. No.	Part No.	Description	Reqd. '01	No. '02	Remarks
• 1	16010-NX4-780	GASKET SET	1	1		• 8	16017-NX4-780	HOLDER SET, main jet	(1)	(1)	(ø3.6)
• 2	16011-KA3-741	VALVE SET, float	1	1		• 9	16041-NX5-791	HOLDER SET, main jet	(1)	(1)	MARK 37
• 3	16201-NX4-780	NEEDLE SET, jet 1265/3466/2351/1159	(1)	(1)	65-34	• 10	16017-NX5-791	HOLDER SET, main jet	1	1	MARK 39
• 4	16202-NX4-780	NEEDLE SET, jet 1266/3466/2351/1159	(1)	(1)	66-34	• 11	16018-NX4-780	SET PLATE, set	1	1	
• 5	16012-NX4-780	NEEDLE SET, jet 1267/3466/2351/1159	(1)	(1)	67-34	• 12	16033-NX4-780	LEVER COMP SET, throttle	1	1	
• 6	16203-NX4-780	NEEDLE SET, jet 1268/3466/2351/1159	1	1	68-34	• 13	16037-NX4-781	SPRING SET, throttle	1	1	
• 7	16204-NX4-780	NEEDLE SET, jet 1269/3466/2351/1159	(1)	(1)	69-34	• 14	16046-NX4-681	VALVE, starter	1	1	
• 8	16205-NX4-780	NEEDLE SET, jet 1270/3466/2351/1159	(1)	(1)	70-34	• 15	16050-NX4-780	SPRING, compression coil	1	1	
• 9	16206-NX4-780	NEEDLE SET, jet 1271/3466/2351/1159	(1)	(1)	71-34	• 16	16070-NX4-781	SET COLLAR SET, spring	1	1	
• 10	16207-NX4-780	NEEDLE SET, jet 1272/3466/2351/1159	(1)	(1)	72-34	• 17	16100-NX4-711	CARBURETOR ASSY.	1	1	
• 11	16230-NX4-780	NEEDLE SET, jet 1265/3366/2350/1159	(1)	(1)	65-33	• 18	16111-NX4-780	THROTTLE VALVE # 6.0	1	1	
• 12	16231-NX4-780	NEEDLE SET, jet 1266/3366/2350/1159	(1)	(1)	66-33	• 19	16112-NX4-780	THROTTLE VALVE # 5.0	(1)	(1)	
• 13	16232-NX4-780	NEEDLE SET, jet 1267/3366/2350/1159	(1)	(1)	67-33	• 20	16113-NX4-780	THROTTLE VALVE # 5.5	(1)	(1)	
• 14	16233-NX4-780	NEEDLE SET, jet 1268/3366/2350/1159	(1)	(1)	68-33	• 21	16114-NX4-780	THROTTLE VALVE # 6.5	(1)	(1)	
• 15	16234-NX4-780	NEEDLE SET, jet 1269/3366/2350/1159	(1)	(1)	69-33	• 22	16115-GHB-610	CLIP, bar	1	1	
• 16	16235-NX4-780	NEEDLE SET, jet 1270/3366/2350/1159	(1)	(1)	70-33	• 23	16118-166-004	CAP, cable sealing	1	1	
• 17	16236-NX4-780	NEEDLE SET, jet 1271/3366/2350/1159	(1)	(1)	71-33	• 24	16118-NX4-711	CAP, rubber	1	1	
• 18	16237-NX4-780	NEEDLE SET, jet 1272/3366/2350/1159	(1)	(1)	72-33	• 25	16121-NX4-780	JET COMP., power jet # 35	(1)	(1)	
• 19	16013-NX4-780	FLOAT SET	1	1		• 26	16121-NX5-791	JET COMP., power jet # 38	(1)	(1)	
• 20	16014-NX4-711	TOP SET	1	1		• 27	16122-NX4-780	JET COMP., power jet # 40	1	1	
• 21	16015-NX4-780	CHAMBER SET, float	1	1							
• 22	16017-NX6-000	SCREW SET, A	1	1							

Block No.

F-1

Meter • Meter panel
2001 RS125R
2002 RS125R

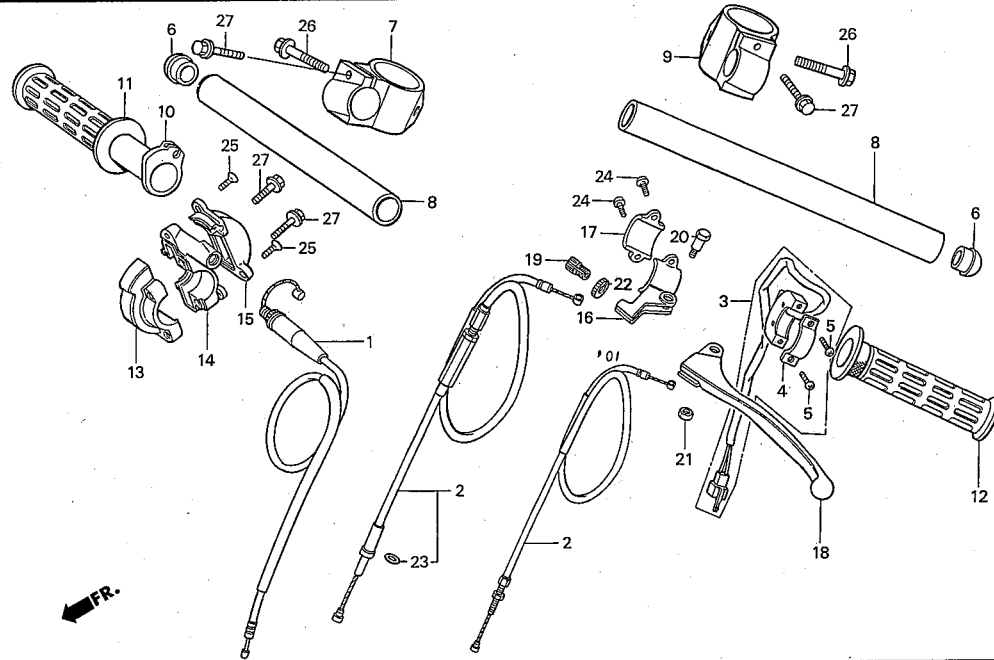


Ref. No.	Part No.	Description	Reqd. No. '01	Reqd. No. '02	Remarks	Ref. No.	Part No.	Description	Reqd. No. '01	Reqd. No. '02	Remarks
• 1	30400-NX4-711	UNIT ASSY., engine control	1	1							
• 2	37250-NF4-771	TACHOMETER ASSY.	1	1							
• 3	37250-NX4-731	TACHOMETER ASSY.	(1)	(1)	OP						
• 3	37460-NX4-701	INDICATOR ASSY., water temp.	1	1							
• 4	37870-NF4-611	SENSOR ASSY., T.W.	1	1							
• 5	50810-NX4-680	STAY COMP., center front cowl	1	1							
• 6	50811-NX4-680	BAND, D25	1	1							
• 7	50815-NX4-000	PANEL, meter	1	1							
• 8	50816-NX4-000	CLIP, Xmas tree	3	3							
9	80116-MR1-000	RUBBER B, rear cowl mount	2	2							
10	90004-GHB-670	BOLT flange, SHF, 6 x 25	1	1							
11	90502-KS5-000	COLLAR, 19 x 6.2 x 13.5	2	2							
12	91307-PK2-005	O-RING, 1.5 x 9.5	1	1							
13	93404-06028-00	BOLT-WASHER, 6 x 28	2	2							

Block No.

F-2

**Cable • Switch •
Handlebar (Handle pipe)
2001 RS125R
2002 RS125R**



Ref. No.	Part No.	Description	Reqd. No.		Remarks	Ref. No.	Part No.	Description	Reqd. No.		Remarks
			'01	'02					'01	'02	
• 1	17910-NX4-780	CABLE COMP., throttle	1	1		20	90114-310-000	BOLT, handle lever pivot	1	1	
• 2	22870-NX4-000	CABLE COMP., clutch	1	—		• 21	90302-NX5-000	U-NUT, hex., 6 mm	1	1	
•	22870-NX4-810	CABLE COMP., clutch	—	1		22	90321-KF0-000	NUT, fixing	1	1	
• 3	35130-NX4-000	SWITCH ASSY., engine stop	1	1		23	91357-KA4-004	O-RING, 5.8 × 1.9	—	1	
4	35132-KR5-013	PLATE, set	1	1		24	93500-05016-0A	SCREW, pan, 5 × 16	2	2	
5	35133-KJ2-003	SCREW, pan, 4 × 12	2	2		25	93700-04010-0G	SCREW, oval, 4 × 10	2	2	
• 6	53105-NF4-770	CAP, handle pipe	2	2		26	95801-08030-00	BOLT, flange, 8 × 30	2	2	
• 7	53110-NX4-000	HOLDER, R. handle	1	1		27	96001-06022-00	BOLT, flange, SH, 6 × 22	4	4	
• 8	53111-NX4-000	PIPE, handle	2	2							
• 9	53120-NX4-000	HOLDER, L. handle	1	1							
• 10	53141-NF4-003	PIPE, throttle grip	1	1							
11	53165-422-000	GRIP, R. handle	1	1							
12	53166-422-000	GRIP, L. handle	1	1							
13	53167-KS6-000	HOUSING, A grip	1	1							
14	53168-KS6-000	HOUSING, B grip	1	1							
15	53169-ML3-790	COVER, housing B	1	1							
16	53172-430-003	BRACKET, L. handle lever	1	1							
17	53173-376-000	HOLDER, lever bracket	1	1							
18	53178-399-700	LEVER, L. steering handle	1	1							
19	53192-KA3-700	BOLT, wire adjust	1	1							

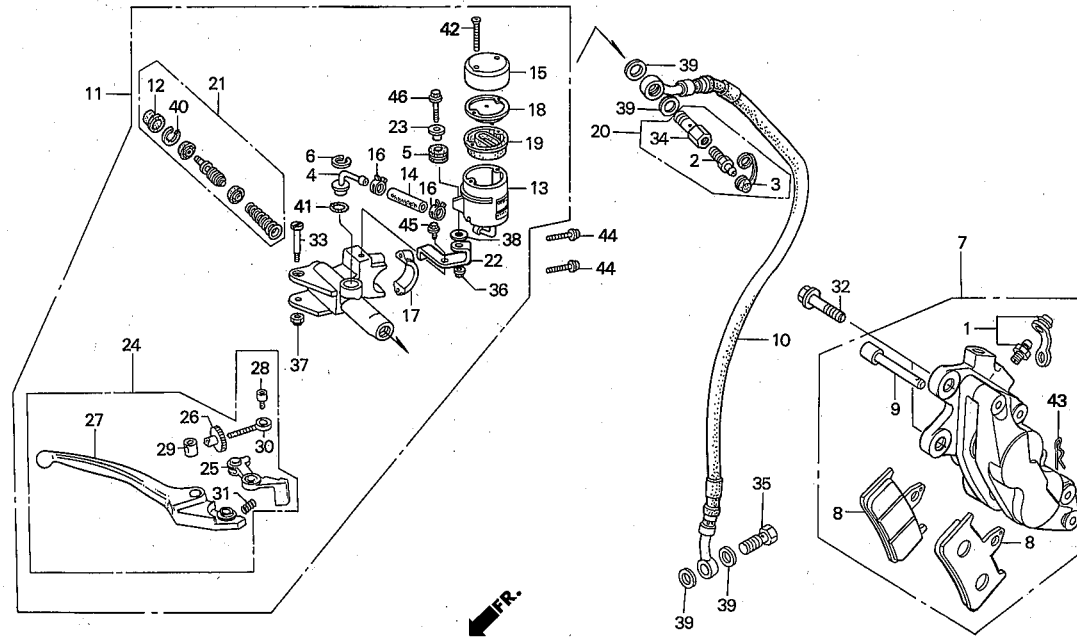
Block No.

F-3

**Front brake caliper •
Front brake mastercylinder
2001 RS125R
2002 RS125R**

▲ WARNING

NEVER use the '96 CAST iron disk (45120-NX4-004) and '97 • '98 pads (45105-NX4-770) for SUS DISK together.

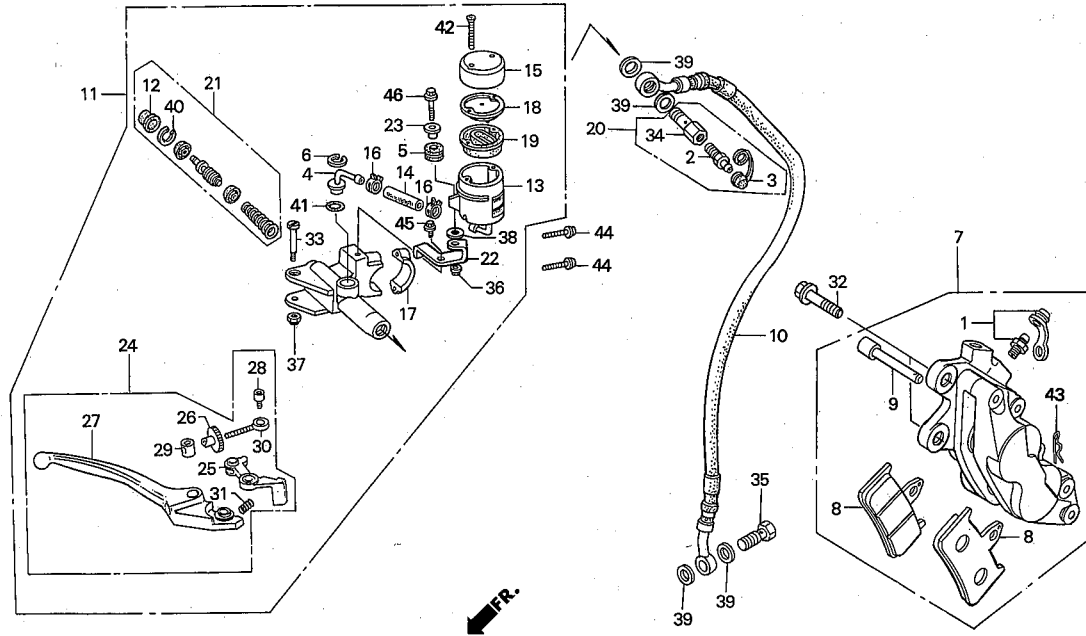


Ref. No.	Part No.	Description	Reqd. No. '01	Reqd. No. '02	Remarks	Ref. No.	Part No.	Description	Reqd. No. '01	Reqd. No. '02	Remarks
• 1	43352-NX5-004	BLEEDER COMP.	1	1		• 20	45530-NF4-650	BOLT ASSY., oil bleeder	1	1	
2	43352-568-003	SCREW, bleeder	1	1		21	45530-471-831	CYLINDER SET, master	1	1	
3	43353-461-771	CAP, bleeder	1	1		• 22	45550-NX4-003	STAY, front mastercylinder	1	1	
4	43503-KS6-701	CONNECTOR	1	1		23	50324-425-010	COLLAR, 6.3 × 13	1	1	
5	43516-HA2-000	RUBBER, oil cup mount	1	1		24	53170-MW0-006	LEVER ASSY., R. handle	1	1	
6	43517-KS6-701	CIRCLIP, rear mastercylinder	1	1		• 25	53171-MW0-006	KNOCKER, mastercylinder	1	1	
• 7	45100-NX4-770	CALIPER ASSY., R. front	1	1		26	53172-KV0-006	ADJUSTER, handle lever R.	1	1	
• 8	45105-NX4-770	PAD COMP., brake	2	2	For SUS DISK	• 27	53175-MW0-006	LEVER, handle R.	1	1	
• 9	45109-NX5-004	PIN, hanger	1	1		28	53177-KV0-006	BOLT, lever socket, 5 × 5	1	1	
• 10	45125-NX4-003	HOSE, front brake	1	—		29	53179-KV0-006	JOINT, lever	1	1	
•	45125-NX4-811	HOSE, front brake	—	1		30	53180-KV0-006	BOLT, adjust	1	1	
• 11	45500-NX4-003	MASTERCYLINDER ASSY., front brake	1	1		31	53181-KV0-006	SPRING, handle lever	1	1	
12	45504-410-003	BOOT COMP.	1	1		• 32	90111-NX4-710	BOLT, flange, 10 × 31	2	2	With wire lock hole
13	45511-KV3-016	OIL CUP COMP.	1	1		33	90114-MA5-671	BOLT, handle lever	1	1	
14	45512-MR7-006	HOSE, mastercylinder oil	1	1		• 34	90145-NF4-650	BOLT, oil bleeder	1	1	
15	45513-KV3-006	CAP, oil cup	1	1		• 35	90145-NX4-710	OIL BOLT, 10 × 21.5	1	1	
16	45514-KV3-006	CLAMP, mastercylinder oil hose	2	2		36	90301-MG3-000	U-NUT, 6 mm	1	1	
17	45517-166-006	HOLDER, mastercylinder	1	1		• 37	90302-NX5-000	U-NUT, hex., 6 mm	1	1	
18	45518-KV3-006	PLATE, diaphragm	1	1		38	90473-147-000	WASHER, 6 × 16	1	1	
19	45520-KV3-006	DIAPHRAGM	1	1							

Block No.

F-3

**Front brake caliper •
Front brake mastercylinder
2001 RS125R
2002 RS125R**

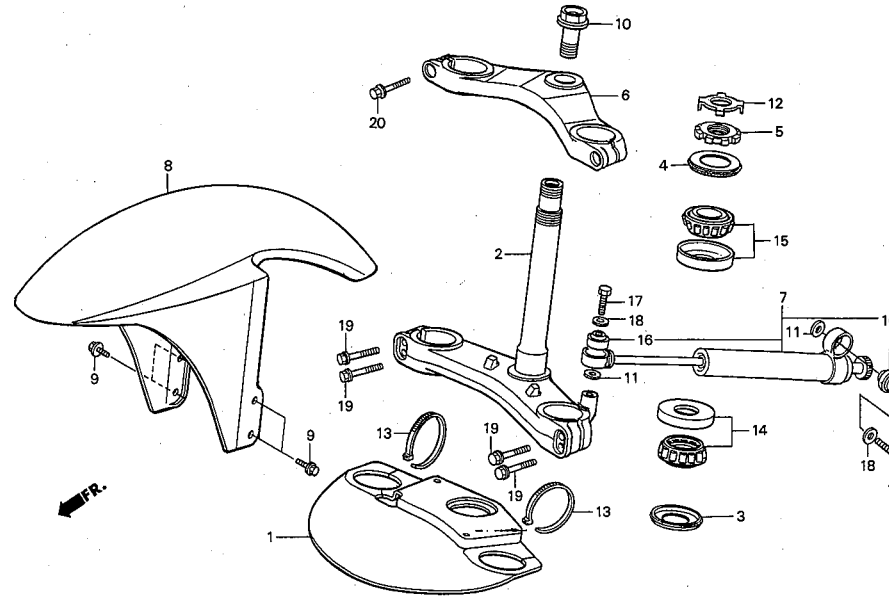


Ref. No.	Part No.	Description	Reqd. No. '01	Reqd. No. '02	Remarks	Ref. No.	Part No.	Description	Reqd. No. '01	Reqd. No. '02	Remarks
39	90601-ZE1-000	WASHER, plug drain, 10 mm	4	4							
40	90651-MA5-671	CIRCLIP	1	1							
41	91212-422-006	O-RING, 14.8 × 2.4	1	1							
42	93600-04050-1G	SCREW, flat, 4 × 50	2	2							
43	94251-05000	PIN, lock, 5 mm	1	1							
44	95801-06025-00	BOLT, flange, 6 × 25	2	2							
45	96300-06012-07	BOLT, flange, DR, 6 × 12	1	1							
46	96300-06028-07	BOLT, flange, DR, 6 × 28	1	1							

Block No.

F-4

**Steering stem •
Steering damper •
Front fender
2001 RS125R
2002 RS125R**

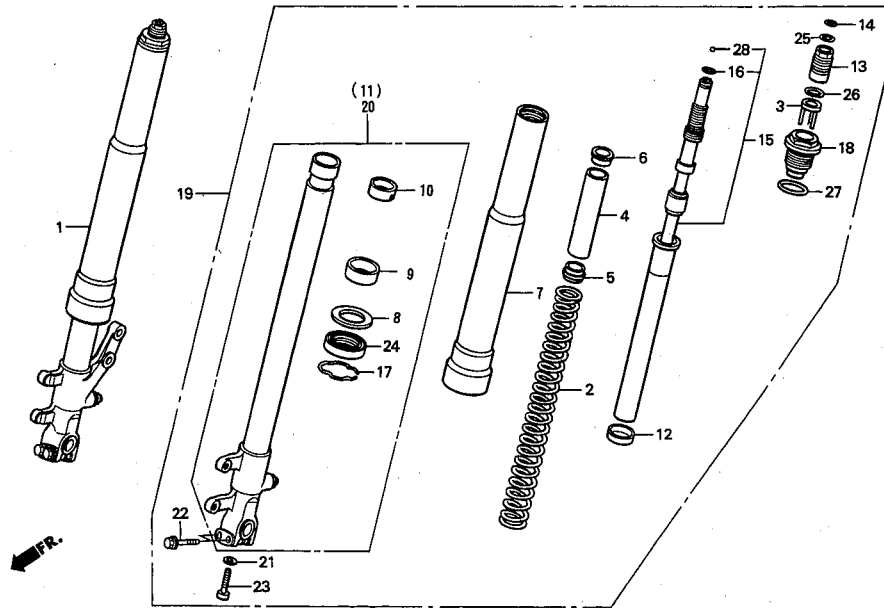


Ref. No.	Part No.	Description	Reqd. No. '01	Reqd. No. '02	Remarks	Ref. No.	Part No.	Description	Reqd. No. '01	Reqd. No. '02	Remarks
• 1	50820-NX4-000	COVER, steering under	1	1		19	95801-08028-00	BOLT, flange, 8 × 28	4	4	
• 2	53200-NX4-000	STEM COMP., steering, 32.5	1	1		20	95801-08032-00	BOLT, flange, 8 × 32	2	2	
• 3	53200-NX4-610	STEM COMP., steering, 30	(1)	(1)							
• 4	53214-KZ4-701	DUST-SEAL, steering head	1	1							
• 5	53214-430-003	DUST-SEAL, steering head	1	1							
• 6	53229-NX4-000	THREAD, steering	1	1							
• 7	53230-NX4-000	BRIDGE, fork top, 32.5	1	1							
• 8	53230-NX4-610	BRIDGE, fork top, 30	(1)	(1)							
• 9	53700-NF4-900	DAMPER ASSY., steering	1	1							
• 10	61100-NX4-770	FENDER, front	1	1							
• 11	90108-GK1-000	BOLT, flange, SH, 6 × 12	4	4							
• 12	90303-NX4-000	BOLT, steering stem	1	1							
• 13	90465-MC4-000	WASHER, 8 mm	2	2							
• 14	90506-NX4-000	STOPPER, steering thread	1	1							
• 15	90651-NC8-000	TIE-WRAP, 3.6 × 281	2	2							
• 16	91015-KZ4-701	BEARING, head pipe	1	1							
• 17	91015-425-831	BEARING, head pipe up	1	1							
• 18	91060-NL0-003	BEARING, spherical, 8 mm	2	2							
• 19	92201-08032-0A	BOLT, hex., 8 × 32	2	2							
• 20	94102-08000	WASHER, plain, 8 mm	2	2							

Block No.

F-5

Front fork
2001 RS125R
2002 RS125R

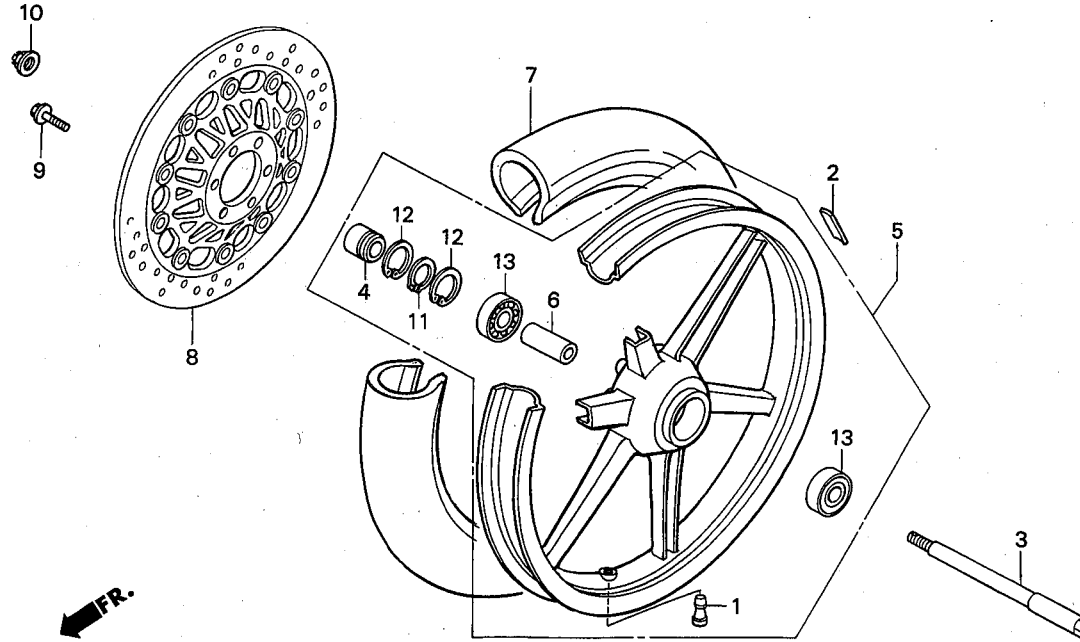


Ref. No.	Part No.	Description	Reqd. '01	No. '02	Remarks	Ref. No.	Part No.	Description	Reqd. '01	No. '02	Remarks
• 1	51400-NX4-711	FORK ASSY., R. front	1	—		• 16	51436-NF5-761	EXPANDER	2	2	
•	51400-NX4-811	FORK ASSY., R. front	—	1		17	51447-KL4-951	RING, oil seal stop	2	2	
• 2	51401-NX4-003	SPRING, front fork	2	2	K = 0.6	• 18	51454-NX4-003	BOLT, front fork	2	2	
•	51402-NX4-003	SPRING, front fork H	(2)	(2)	K = 0.65	• 19	51500-NX4-711	FORK ASSY., L. front	1	—	
•	51403-NX4-003	SPRING, front fork S	(2)	(2)	K = 0.55	•	51500-NX4-811	FORK ASSY., L. front	—	1	
• 3	51404-NF5-611	PLATE COMP., spring adjust	2	2		• 20	51520-NX4-711	PIPE COMP., L. slide	1	—	
• 4	51404-NX4-003	COLLAR, spring	2	2		•	51520-NX4-811	PIPE COMP., L. slide	—	1	
• 5	51405-NX4-003	PLATE, spring joint	2	2		21	52442-KA3-711	WASHER, special, 10 mm	2	2	
• 6	51406-NX4-003	STOPPER, spring seat	2	2		22	90107-KF0-000	BOLT, flange, DR, 8 × 40	4	4	
• 7	51410-NX4-711	TUBE, outer	2	2		23	90126-MR7-003	BOLT, socket, 10 × 35	2	2	
8	51412-422-003	RING, back up	2	2		• 24	91255-NX4-771	SEAL, oil, 35 × 48 × 11	2	2	
• 9	51414-NX4-701	BUSH, guide	2	2		25	91311-MR7-003	O-RING, 13.8 × 2.4	2	2	
• 10	51415-NX4-701	BUSH, slide	2	2		• 26	91351-NF5-611	O-RING, 23.7 × 2.4	2	2	
• 11	51420-NX4-711	PIPE COMP., R. slide	1	—		27	91356-KA4-711	O-RING, 35.2 × 2.4	2	2	
•	51420-NX4-811	PIPE COMP., R. slide	—	1		28	96211-04000	BALL, steel 4	2	2	
12	51421-MW4-003	PLATE, centering	2	2							
• 13	51422-NF5-611	ADJUSTER, spring	2	2							
• 14	51423-NF5-611	RING B, stopper	2	2							
• 15	51430-NX5-711	DAMPER COMP., front	2	—							
•	51430-NX4-811	DAMPER COMP., front	—	2							

Block No.

F-6

**Front wheel
2001 RS125R
2002 RS125R**



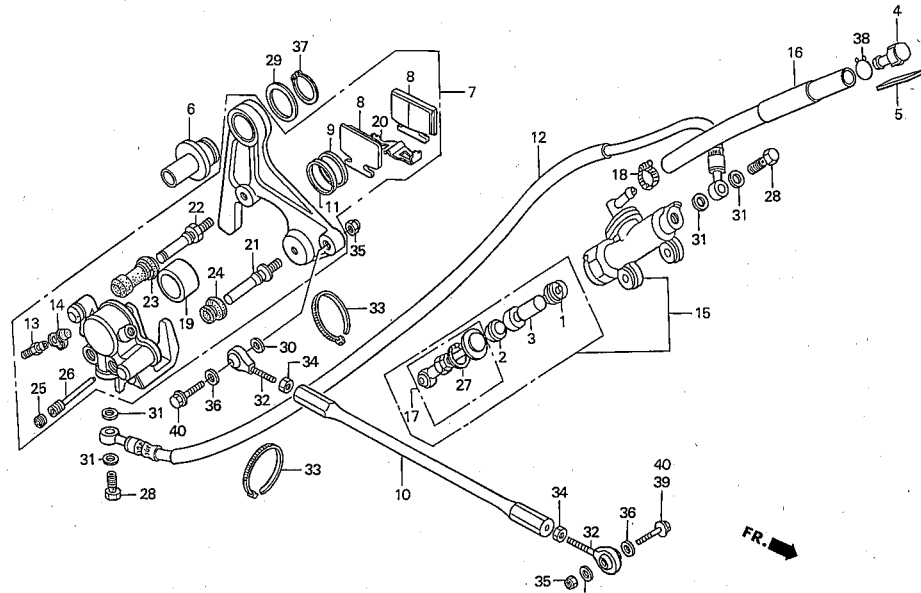
▲ WARNING
NEVER use the '96 CAST iron disk (45120-NX4-004) and '97-'98 pads (45105-NX4-770) for SUS DISK together.

Ref. No.	Part No.	Description	Reqd. '01	No. '02	Remarks	Ref. No.	Part No.	Description	Reqd. '01	No. '02	Remarks
• 1	42704-NF5-710	VALVE, wheel	(1)	(1)	Aluminium						
	42753-ML7-004	VALVE, rim (DUN)	1	1							
• 2	42720-NC8-000	WEIGHT, balancer, 10G	N	N							
•	42721-NC8-000	WEIGHT, balancer, 20G	N	N							
• 3	44301-NX4-000	AXLE, front wheel	1	1							
• 4	44303-NF4-000	COLLAR, front wheel side	1	1							
• 5	44600-NF4-650	WHEEL SET, front (2.50 × 17)	1	—	WHITE						
•	44600-NX4-306	WHEEL SET, front (2.50 × 17)	—	1	BLACK						
• 6	44620-NF4-000	COLLAR, front wheel distance	1	1							
7	—	TIRE, front 90/580 R17 (BS)	—	1	No sale by HRC						
	—	TIRE, front 95/580 R17 (BS)	1	—	No sale by HRC						
• 8	45120-NX4-681	DISK COMP., R. front brake	1	1	SUS (Steel)						
9	90003-MC7-000	BOLT, flange, 6 × 20	6	6							
•	90113-ND5-761	BOLT, flange, 6 × 20	(6)	(6)	With wire lock hole						
10	90305-GE8-003	U-NUT, 14 mm	1	1							
• 11	90651-NF4-000	CIRCLIP, external 26	1	1							
• 12	90652-NF4-000	CIRCLIP, internal 35	2	2							
13	96140-62020-10	BEARING, ball radial, 6202U	2	2							

Block No.

F-7

**Rear brake caliper •
Rear brake mastercylinder
2001 RS125R
2002 RS125R**

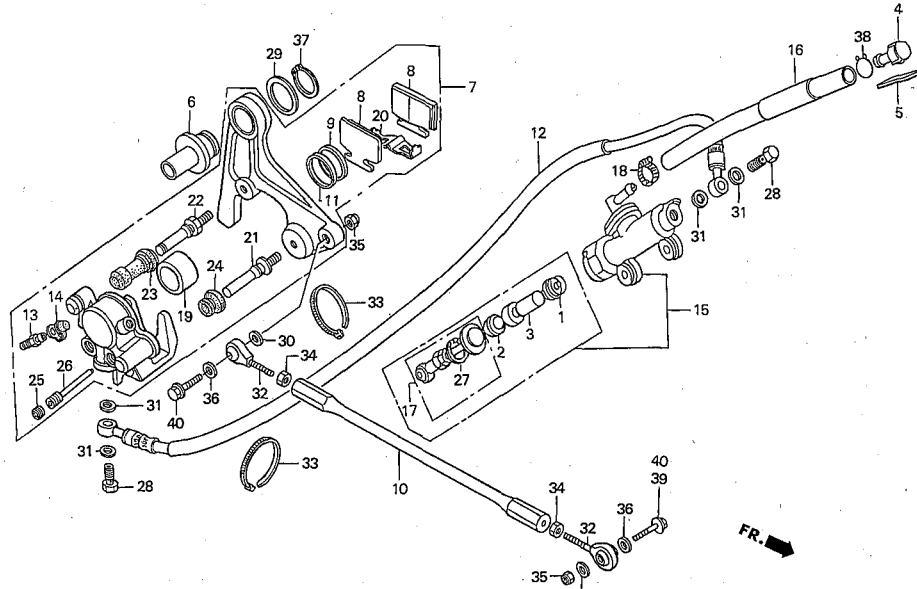


Ref. No.	Part No.	Description	Reqd. No. '01	Reqd. No. '02	Remarks	Ref. No.	Part No.	Description	Reqd. No. '01	Reqd. No. '02	Remarks
• 1	04601-ND5-760	CUP, primary	1	1		21	45131-HA5-672	PIN BOLT, A	1	1	
• 2	04602-ND5-760	CUP, secondary	1	1		22	45131-166-016	PIN,bolt	1	1	
• 3	04603-NF4-770	PISTON, rear	1	1		23	45132-166-016	BUSH, pin	1	1	
4	17370-419-700	PLUG, breather tube	1	1		24	45133-MA3-006	BOOT, B	1	1	
5	19105-MR8-300	CUSHION, tank reserve	1	1		25	45203-MG3-016	PLUG, pin	2	2	
• 6	42305-NX4-000	COLLAR, caliper bracket	1	1		26	45215-GE2-016	HANGER PIN	2	2	
• 7	43100-NF5-611	CALIPER ASSY., rear	1	1		27	46182-500-013	CIRCLIP, master cylinder	1	1	
• 8	43105-NF5-611	PAD COMP.	2	2		28	90145-MS9-612	OIL BOLT, 10 × 22	2	2	
9	43109-MA3-006	DUST SEAL	1	1		29	90475-425-000	WASHER, thrust, 30 mm	1	1	
• 10	43111-NX4-000	ROD, rear brake torque	1	1		30	90485-GB4-790	WASHER, 8 mm	2	2	
11	43209-MA3-006	SEAL, piston	1	1		31	90601-ZE1-000	WASHER, plug, drain, 10 mm	4	4	
• 12	43310-NX4-003	HOSE, rear brake	1	1		• 32	91048-NX4-710	ROD END, 8 mm	2	2	
13	43352-568-003	SCREW, bleeder	1	1		33	91058-MG9-681	BAND, self lock	2	2	
14	43353-461-771	CAP, bleeder	1	1		34	94002-08000-0S	NUT, hex., 8 mm	2	2	
• 15	43500-NF4-770	MASTER CYLINDER ASSY., rear	1	1		35	94050-08000	NUT, flange, 8 mm	2	2	
• 16	43503-NX4-000	V-TUBE, 9 × 13 × 275	1	1		36	94102-08000	WASHER, plain, 8 mm	2	2	
• 17	43504-NF4-770	ROD ASSY.	1	1		37	94510-30000	CIRCLIP, external, 30	1	1	
• 18	43541-ND5-750	CLAMP	1	1		38	95002-02120	CLIP, B12 tube	1	1	
19	45107-GM9-711	PISTON	1	1		39	95801-08032-00	BOLT, flange, 8 × 32	1	—	
20	45108-GM9-741	PAD SPRING	1	1		40	95801-08035-00	BOLT, flange, 8 × 35	1	2	

Block No.

F-7

**Rear brake caliper •
Rear brake mastercylinder
2001 RS125R
2002 RS125R**

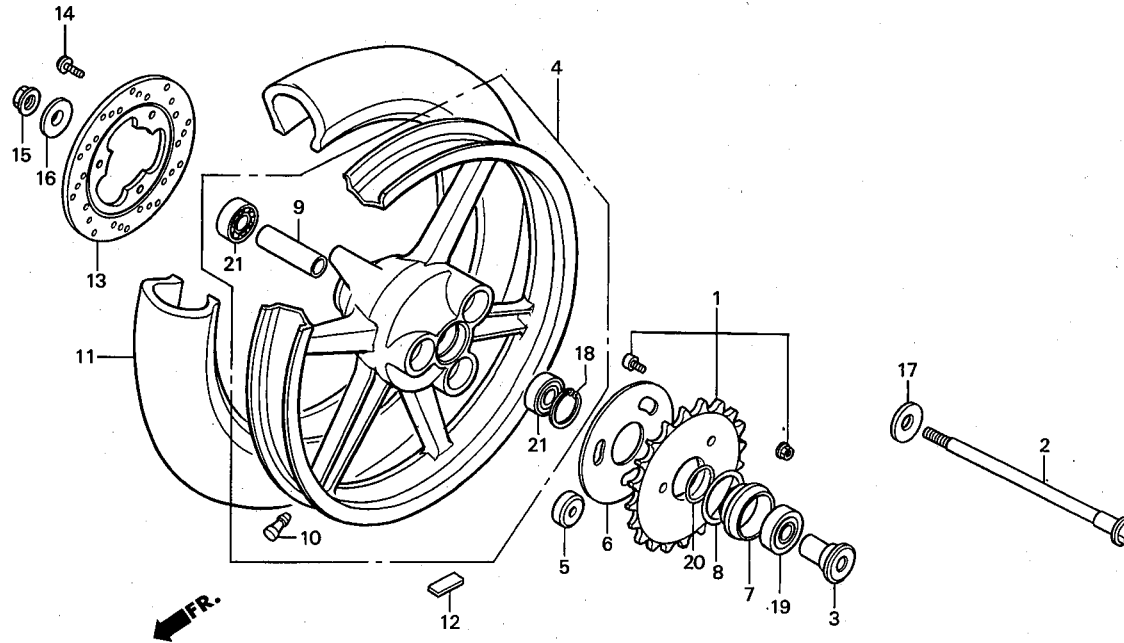


Ref. No.	Part No.	Description	Reqd. No. '01	Reqd. No. '02	Remarks	Ref. No.	Part No.	Description	Reqd. No. '01	Reqd. No. '02	Remarks
• 1	04601-ND5-760	CUP, primary	1	1		21	45131-HA5-672	PIN BOLT, A	1	1	
• 2	04602-ND5-760	CUP, secondary	1	1		22	45131-166-016	PIN,bolt	1	1	
• 3	04603-NF4-770	PISTON, rear	1	1		23	45132-166-016	BUSH, pin	1	1	
4	17370-419-700	PLUG, breather tube	1	1		24	45133-MA3-006	BOOT, B	1	1	
5	19105-MR8-300	CUSHION, tank reserve	1	1		25	45203-MG3-016	PLUG, pin	2	2	
• 6	42305-NX4-000	COLLAR, caliper bracket	1	1		26	45215-GE2-016	HANGER PIN	2	2	
• 7	43100-NF5-611	CALIPER ASSY., rear	1	1		27	46182-500-013	CIRCLIP, master cylinder	1	1	
• 8	43105-NF5-611	PAD COMP.	2	2		28	90145-MS9-612	OIL BOLT, 10 × 22	2	2	
9	43109-MA3-006	DUST SEAL	1	1		29	90475-425-000	WASHER, thrust, 30 mm	1	1	
• 10	43111-NX4-000	ROD, rear brake torque	1	1		30	90485-GB4-790	WASHER, 8 mm	2	2	
11	43209-MA3-006	SEAL, piston	1	1		31	90601-ZE1-000	WASHER, plug, drain, 10 mm	4	4	
• 12	43310-NX4-003	HOSE, rear brake	1	1		• 32	91048-NX4-710	ROD END, 8 mm	2	2	
13	43352-568-003	SCREW, bleeder	1	1		33	91058-MG9-681	BAND, self lock	2	2	
14	43353-461-771	CAP, bleeder	1	1		34	94002-08000-0S	NUT, hex., 8 mm	2	2	
• 15	43500-NF4-770	MASTER CYLINDER ASSY., rear	1	1		35	94050-08000	NUT, flange, 8 mm	2	2	
• 16	43503-NX4-000	V-TUBE, 9 × 13 × 275	1	1		36	94102-08000	WASHER, plain, 8 mm	2	2	
• 17	43504-NF4-770	ROD ASSY.	1	1		37	94510-30000	CIRCLIP, external, 30	1	1	
• 18	43541-ND5-750	CLAMP	1	1		38	95002-02120	CLIP, B12 tube	1	1	
19	45107-GM9-711	PISTON	1	1		39	95801-08032-00	BOLT, flange, 8 × 32	1	—	
20	45108-GM9-741	PAD SPRING	1	1		40	95801-08035-00	BOLT, flange, 8 × 35	1	2	

Block No.

F-8

**Rear wheel
2001 RS125R
2002 RS125R**

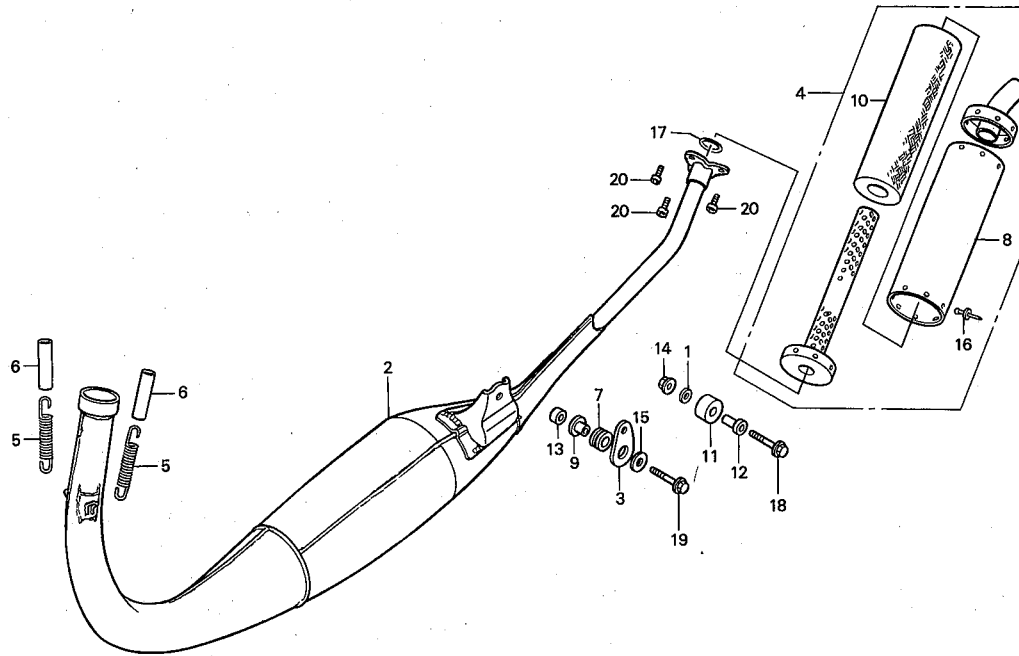


Ref. No.	Part No.	Description	Reqd. '01	Reqd. '02	Remarks	Ref. No.	Part No.	Description	Reqd. '01	Reqd. '02	Remarks
• 1	41102-NF4-760	SPROCKET ASSY., final driven 32T	(1)	(1)		11	—	TIRE, rear 120/595 R17 (BS)	1	1	No sale by HRC
•	41103-NF4-760	SPROCKET ASSY., final driven 33T	(1)	(1)		• 12	42720-NC8-000	WEIGHT, balance, 10G	N	N	
•	41104-NF4-760	SPROCKET ASSY., final driven 34T	(1)	(1)		•	42721-NC8-000	WEIGHT, balance, 20G	N	N	
•	41105-NF4-760	SPROCKET ASSY., final driven 35T	(1)	(1)		• 13	43122-NF5-760	DISK, brake	1	1	SUS (Steel)
•	41106-NF4-760	SPROCKET ASSY., final driven 36T	1	1		14	90105-KR3-000	BOLT, front disk, 8 × 24	3	3	
•	41107-NF4-760	SPROCKET ASSY., final driven 37T	(1)	(1)		15	90305-GE8-003	U-NUT, 14 mm	1	1	
•	41108-NF4-760	SPROCKET ASSY., final driven 38T	(1)	(1)		• 16	90411-NX4-000	WASHER, 14 × 32 × 1	1	1	
•	41109-NF4-760	SPROCKET ASSY., final driven 39T	(1)	(1)		• 17	90456-NX4-000	WASHER, 18 × 32 × 1	1	1	
•	41110-NF4-760	SPROCKET ASSY., final driven 40T	(1)	(1)		• 18	90652-NF4-000	CIRCLIP, internal 35	1	1	
• 2	42301-NX4-000	AXLE, rear wheel	1	1		• 19	91052-NF4-000	BEARING, ball radial, 6904UU	1	1	
• 3	42304-NX4-000	COLLAR, rear wheel side	1	1		20	91357-964-006	O-RING, 31	1	1	
• 4	42600-NX4-000	WHEEL SET, rear (3.50 × 17)	1	—	WHITE	21	96140-62020-10	BEARING, ball radial, 6202U	2	2	
•	42600-NX4-306	WHEEL SET, rear (3.50 × 17)	—	1	BLACK						
• 5	42615-ND5-750	RUBBER, rear wheel damper	3	3							
• 6	42616-NF4-000	WASHER, sprocket	1	1							
• 7	42617-NF4-770	COLLAR, sprocket	1	1							
• 8	42618-NF4-000	WASHER, collar sprocket 0.2	N	N							
•	42619-NF4-000	WASHER, collar sprocket 0.3	N	N							
• 9	42620-NX4-000	COLLAR, rear wheel distance	1	1							
• 10	42704-NF5-710	VALVE, wheel	(1)	(1)	Aluminium						
	42753-ML7-004	VALVE, rim (DUN)	1	1							

Block No.

F-10

**Expansion chamber •
Chain roller
2001 RS125R
2002 RS125R**

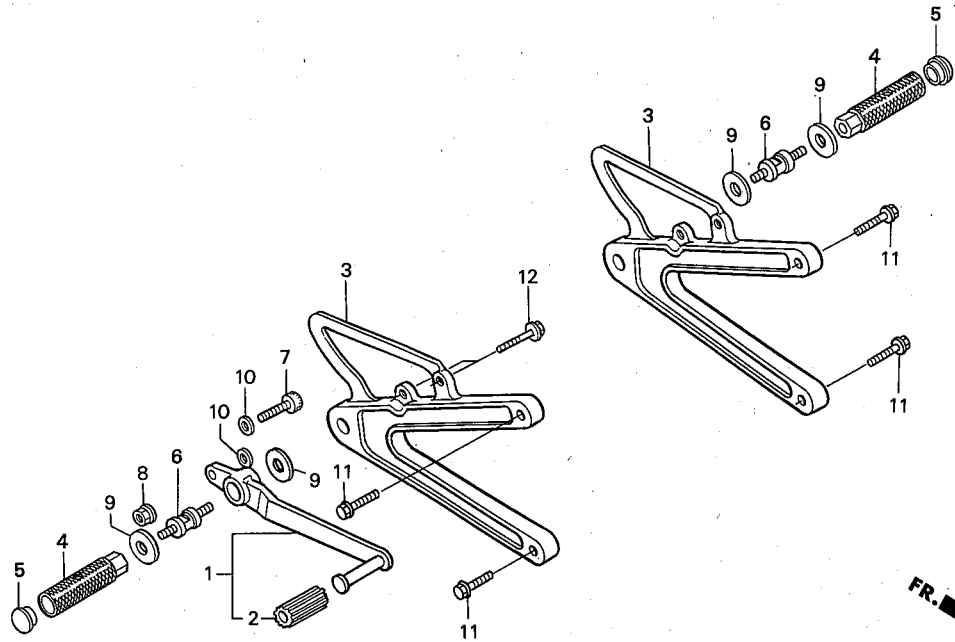


Ref. No.	Part No.	Description	Reqd. '01	No. '02	Remarks	Ref. No.	Part No.	Description	Reqd. '01	No. '02	Remarks
1	17936-921-000	WASHER, pivot.....	1	1		19	96001-06032-00	BOLT, flange, SH, 6 × 32	1	1	
• 2	18310-NX4-710	EXPANSION CHAMBER COMP.	1	1		• 20	96700-06012-17	SOCKET BOLT, 6 × 12	3	3	
• 3	18326-NX4-710	STAY, chamber	1	1							
• 4	18330-NX4-780	SILENCER ASSY.	1	1							
5	18332-KS6-000	SPRING, exhaust pipe	2	2							
• 6	18333-ND4-760	TUBE, spring	2	—							
	14539-KCZ-300	TUBE, tensioner spring	—	2							
7	18334-KA3-830	RUBBER, silencer	1	1							
• 8	18334-NX4-780	BODY, outer	1	1							
9	18336-KS6-700	COLLAR, silencer mount	1	1							
• 10	18336-NX4-780	GLASS WOOL	1	1							
11	52158-HB5-003	ROLLER, chain	1	1							
• 12	52159-NX4-000	COLLAR, chain roller	1	1							
13	75133-960-000	COLLAR	1	—							
	17202-ZV4-300	COLLAR, distance	—	1							
14	90301-473-003	U-NUT, 6 mm	1	1							
15	90506-430-000	WASHER, fender mount	1	1							
• 16	91081-NF4-003	RIVET, blind, 3.2	16	16							
17	91361-MT3-003	O-RING, 24.5 × 1.9	1	1							
18	95801-06050-00	BOLT, flange, 6 × 50	1	1							

Block No.

F-11

**Brake pedal •
Footpeg (Step arm)
2001 RS125R
2002 RS125R**

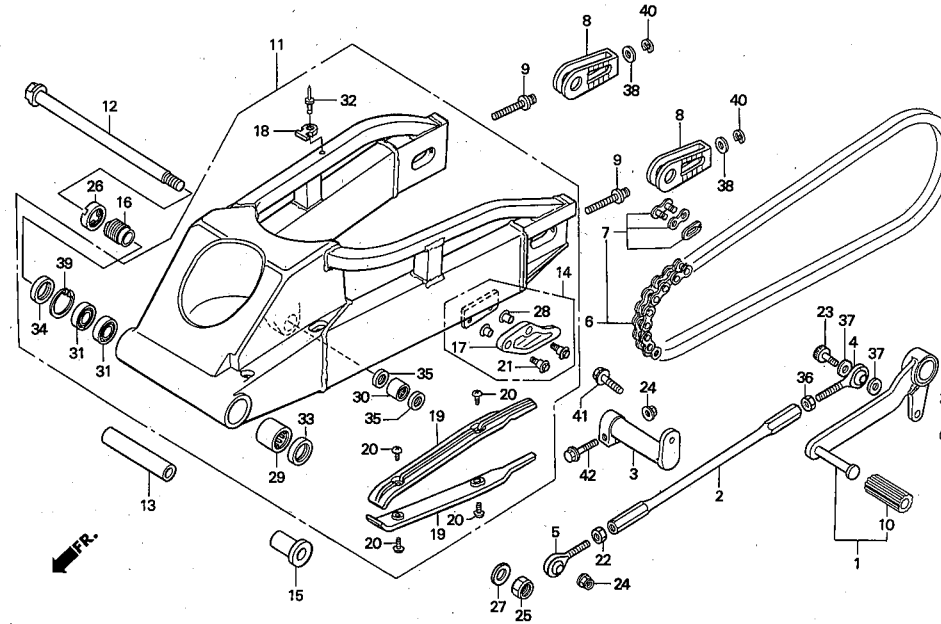


Ref. No.	Part No.	Description	Reqd. No. '01	Reqd. No. '02	Remarks	Ref. No.	Part No.	Description	Reqd. No. '01	Reqd. No. '02	Remarks
• 1	46500-NF4-780	PEDAL COMP., brake	1	1							
• 2	46501-ND4-750	RUBBER, pedal	1	1							
• 3	50600-NX4-770	HOLDER, step	2	2							
• 4	50610-NL5-760	ARM, step	2	2							
• 5	50612-NL5-760	END, step, arm	2	2							
• 6	50643-NX4-770	BOSS, pedal, pivot	2	2							
• 7	90211-NX4-771	BOLT, socket, 6 × 25	1	1							
8	90301-473-003	U-NUT, 6 mm	1	1							
9	90504-MA6-000	WASHER, 8.5 × 26	4	4							
10	94101-06000	WASHER, plain, 6 mm	2	2							
11	95701-08030-00	BOLT, flange, 8 × 30	4	4							
12	95801-06022-00	BOLT, flange, 6 × 22	2	2							

Block No.

F-12

**Gear shift pedal
(Change pedal) •
Rear swingarm
2001 RS125R
2002 RS125R**

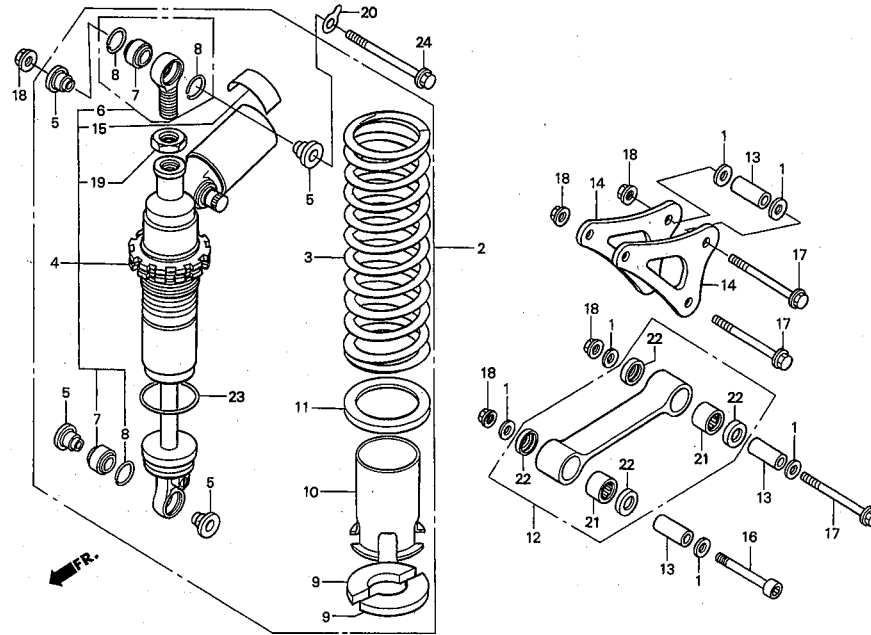


Ref. No.	Part No.	Description	Reqd. No. '01	Reqd. No. '02	Remarks	Ref. No.	Part No.	Description	Reqd. No. '01	Reqd. No. '02	Remarks
• 1	24700-NF4-780	PEDAL COMP., change	1	1		• 19	52170-NX4-000	SLIDER, chain	2	2	
• 2	24706-NX4-000	ROD, change	1	1		20	90101-692-000	SCREW, truss G. box	4	4	
• 3	24710-NX4-000	ARM, gear change	1	1		21	90110-GE0-710	BOLT, flange, 6 mm	2	2	
• 4	24711-NX4-710	ROD END, 6 mm A	1	1		22	90201-KV3-700	NUT, tie rod B	1	1	
• 5	24712-NX4-710	ROD END, 6 mm B	1	1		• 23	90211-NX4-771	BOLT, socket, 6 x 25	1	1	
• 6	40530-NX4-811	CHAIN, drive (RK415HRU-120RJ)	1	1		24	90301-473-003	U-NUT, 6 mm	3	3	
•	40535-NF4-632	CHAIN, drive (DID415ER-120RB)	(1)	(1)		25	90305-KZ4-890	U-NUT, 18 mm	1	1	
• 7	40531-NF4-632	JOINT SET, drive chain (DID415ER)	(1)	(1)		• 26	90355-NX4-000	NUT, swingarm pivot	1	1	
•	40531-NX4-811	JOINT SET, drive chain (RK415HRU)	1	1		27	90401-KZ4-890	WASHER, 18 x 32 x 2	1	1	
• 8	40543-NX4-000	ADJUSTER, chain	2	2		28	90522-028-000	WASHER, chain case setting	2	2	
• 9	40545-NX4-000	BOLT, chain adjuster	2	2		29	91071-MR7-003	BEARING, needle	1	1	
• 10	46501-ND4-750	RUBBER, pedal	1	1		30	91071-MY1-005	BEARING, needle, 17 x 24 x 17	1	1	
• 11	52100-NX4-710	SWING ARM ASSY.	1	1		31	91072-MR7-003	BEARING, ball radial, 20 x 37 x 9	2	2	
• 12	52101-NX4-680	BOLT, swing arm pivot	1	1		• 32	91080-NF5-710	RIVET, 4.0 x 8.6	1	1	
• 13	52102-NX4-000	COLLAR, distance swing arm	1	1		33	91202-MR7-003	DUST SEAL, 28 x 37 x 4	1	1	
• 14	52105-NX4-305	CHAIN GUARD SET.	—	—	'94-'97	34	91214-MR7-003	DUST SEAL, 26 x 37 x 5	1	1	
• 15	52106-NX4-000	COLLAR B, pivot	1	1		35	91262-KV3-831	DUST SEAL, 17 x 24 x 5	2	2	
• 16	52109-NX4-000	BOLT, adjust pivot	1	1							
17	52156-GAN-670	GUARD, chain	1	1							
• 18	52161-NF5-710	HOSE BASE, saddle	1	1							

Block No.

F-13

**Rear shock absorber
(Rear cushion) •
Shock link
(Cushion rod)
2001 RS125R
2002 RS125R**

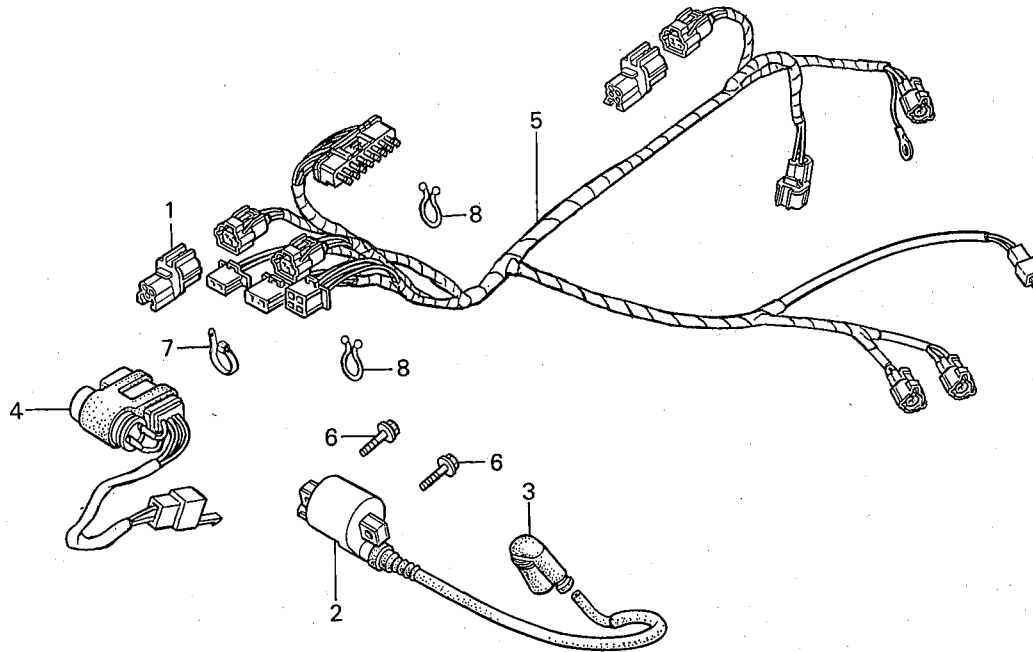


Ref. No.	Part No.	Description	Reqd. No.		Remarks	Ref. No.	Part No.	Description	Reqd. No.		Remarks
			'01	'02					'01	'02	
1	24707-MR7-000	WASHER, change pivot	6	—		16	90110-MR8-000	BOLT, socket, 10 × 52	1	1	
• 2	52400-NX4-741	CUSHION ASSY., rear	1	—		17	90154-HA8-000	BOLT, flange, 10 × 52	3	3	
•	52400-NX4-841	CUSHION ASSY., rear	—	1		18	90304-GA6-003	NUT, axle	5	5	
• 3	52401-NX4-003	SPRING, rear cushion	1	1	K = 8.0	• 19	90306-NF5-951	NUT, lock, 16 mm	1	1	
•	52402-NX4-003	SPRING, rear cushion H	(1)	(1)	K = 8.5	• 20	90510-NX4-000	SHIM, engine mount 0.2	N	N	
•	52403-NX4-003	SPRING, rear cushion S	(1)	(1)	K = 7.5	•	90511-NX4-000	SHIM, engine mount 0.6	N	N	
•	52404-NX4-701	SPRING, rear cushion 7.0	(1)	(1)	K = 7.0	•	90512-NX4-000	SHIM, engine mount 1.0	N	N	
•	52405-NX4-701	SPRING, rear cushion 6.5	(1)	(1)	K = 6.5	•	90513-NX4-000	SHIM, engine mount 1.5	N	N	
• 4	52410-NX4-741	DAMPER COMP., rear	1	—		21	91071-MY1-005	BEARING, needle, 17 × 24 × 17	2	2	
•	52410-NX4-841	DAMPER COMP., rear	—	1		22	91262-KV3-831	DUST SEAL, 17 × 24 × 5	4	4	
• 5	52411-NX4-003	COLLAR, damper up	4	4		23	91356-KZ3-003	O-RING, 44.7 × 2.4	1	1	
• 6	52420-NX4-003	JOINT COMP., upper	1	1		24	95801-10060-00	BOLT, flange, 10 × 60	1	1	
• 7	52422-NF5-952	BEARING, spherical	2	2							
8	52424-GC4-831	RING, stopper	3	3							
• 9	52455-NF4-781	STOPPER, spring seat	2	2							
• 10	52458-NX4-003	GUIDE, spring	1	1							
• 11	52459-NX4-003	SEAT, spring	1	1							
• 12	52460-NX4-000	ROD ASSY., cushion	1	1							
• 13	52465-NX4-000	COLLAR, cushion arm	3	3							
• 14	52471-NX4-000	PLATE, cushion arm	2	2							
15	87516-KZ1-600	LABEL, rear damper	1	1							

Block No.

F-14

Ignition coil •
Wire harness
2001 RS125R
2002 RS125R

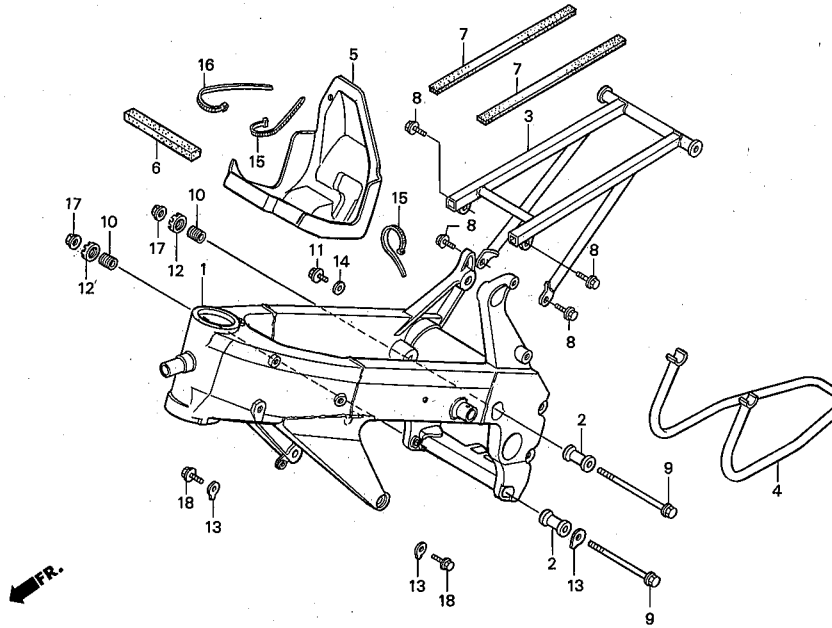


Ref. No.	Part No.	Description	Reqd. No. '01	Reqd. No. '02	Remarks	Ref. No.	Part No.	Description	Reqd. No. '01	Reqd. No. '02	Remarks
• 1	30411-NX5-790	COUPLER, P/J mode 1	1	1							
•	30412-NX5-790	COUPLER, P/J mode 2	(1)	(1)							
•	30413-NX5-790	COUPLER, P/J mode 3	(1)	(1)							
• 2	30500-NX4-003	COIL COMP., ignition	1	1							
• 3	30700-NX4-000	CAP ASSY., noise suppressor	1	1							
• 4	31600-NX4-000	REGULATE RECTIFIER COMP. (DC)	1	1							
• 5	32100-NX4-710	HARNESS, wire	1	—							
•	32100-NX4-810	HARNESS, wire	(1)	1							
6	90197-MN5-000	BOLT, flange, 5 x 20	2	2							
7	90650-MA6-720	BAND, harness	1	1							
8	90659-MR5-000	CLIP, harness	2	2							

Block No.

F-15

**Frame body • Stand •
Carburetor box
2001 RS125R
2002 RS125R**

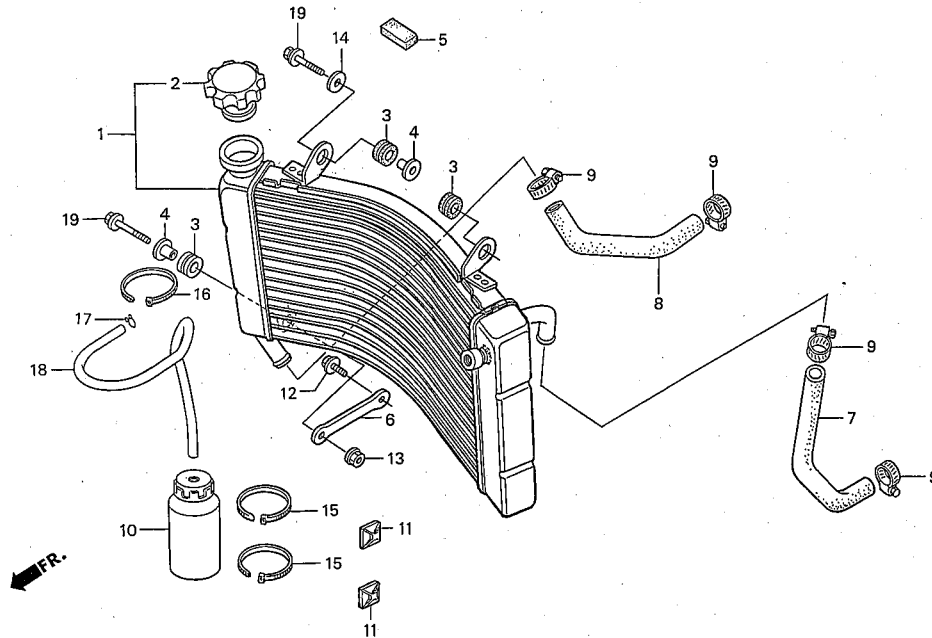


Ref. No.	Part No.	Description	Reqd. No. '01	No. '02	Remarks	Ref. No.	Part No.	Description	Reqd. No. '01	No. '02	Remarks
• 1	50100-NX4-710	FRAME BODY COMP.	1	1		16	91058-MG9-681	BAND, self lock	1	1	
• 2	50180-NX4-000	COLLAR, engine mount	2	2		17	94050-10000	NUT, flange 10 mm	2	2	
• 3	50240-NX4-000	RAIL COMP., seat	1	1		18	95801-10028-00	BOLT, flange, 10 × 28	2	2	
• 4	50500-NX4-000	STAND, main	1	1							
• 5	64110-NX4-000	BOX, carburetor	1	1							
6	64231-MZ7-300	SEAL LOWER, headlight	1	1							
• 7	77105-NX4-000	RUBBER, seat rail	2	2							
8	90004-GHB-620	BOLT, flange NSHF 6 × 14	4	4							
9	90102-GW2-000	BOLT, flange, 10 × 183	2	2							
• 10	90124-NX4-000	BOLT, engine mount adjust 18 × 34.5	2	2							
• 11	90134-ND5-000	BOLT, flange, 6 × 10	1	1							
• 12	90301-NX4-000	NUT, lock, M18 × 1.5	2	2							
• 13	90510-NX4-000	SHIM, engine mount 0.2	N	N							
•	90511-NX4-000	SHIM, engine mount 0.6	N	N							
•	90512-NX4-000	SHIM, engine mount 1.0	N	N							
•	90513-NX4-000	SHIM, engine mount 1.5	N	N							
14	90543-273-000	PACKING, front fork drain	1	1							
• 15	90651-NC8-000	TIE-WRAP, 3.6 × 281	2	2							

Block No.

F-16

Radiator
2001 RS125R
2002 RS125R



Ref. No.	Part No.	Description	Reqd. No. '01	Reqd. No. '02	Remarks	Ref. No.	Part No.	Description	Reqd. No. '01	Reqd. No. '02	Remarks
• 1	19010-NX4-770	RADIATOR ASSY.	1	1		19	96001-06025-00	BOLT, flange, SH, 6 x 25	2	2	
2	19045-MY3-671	CAP COMP., radiator	1	1							
3	19051-KA3-830	RUBBER, radiator mount	3	3							
4	19052-KA3-830	COLLAR, radiator mount	2	2							
5	19105-MR8-300	CUSHION, tank reserve	1	1							
• 6	19110-NX4-000	STAY, radiator	1	1							
• 7	19502-NX4-000	HOSE A, water	1	1							
• 8	19503-NX4-000	HOSE B, water	1	1							
9	19504-KY1-003	CLAMP, water hose D25	4	4							
• 10	19602-NF4-810	TANK, catch 250	1	1							
• 11	32114-NF4-780	BASE, TYLAP	2	2							
12	90108-GKI-000	BOLT, flange, SH, 6 x 12	—	1							
	90004-GHB-610	BOLT, flange, NSHF, 6 x 12	1	—							
13	90301-473-003	U-NUT, 6 mm	1	1							
14	90506-430-000	WASHER, fender mount	1	1							
• 15	90651-NC8-000	TIE-WRAP, 3.6 x 281	2	2							
16	91058-MG9-681	BAND, self lock	1	1							
17	95002-45000	CLIP, C8 tube	1	1							
• 18	95003-10040-31	VINYL-TUBE, 5 x 8 x 400	1	1	No sale by HRC I.D. 5 mm x 400 mm						

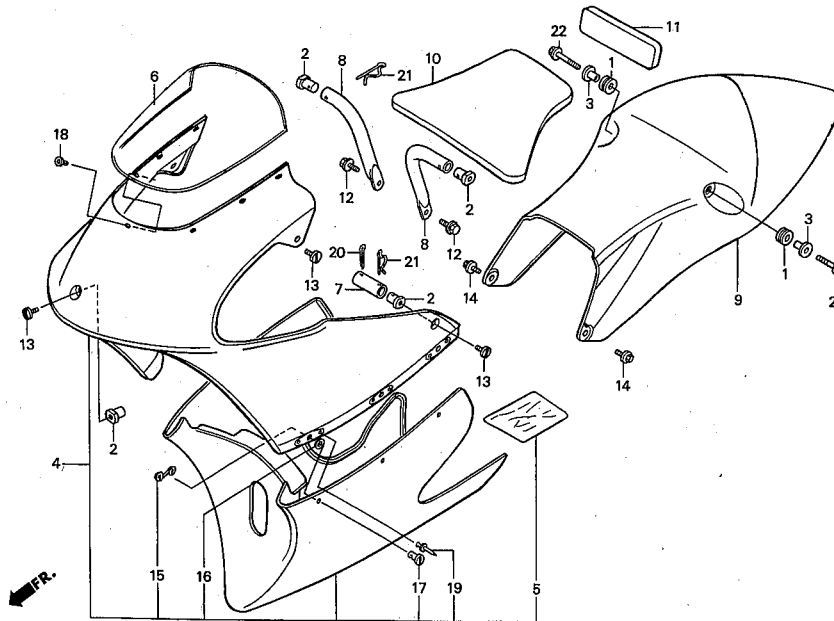
Block No.

F-17

Cowl

2001 RS125R

2002 RS125R



Ref. No.	Part No.	Description	Reqd. No. '01	Reqd. No. '02	Remarks	Ref. No.	Part No.	Description	Reqd. No. '01	Reqd. No. '02	Remarks
1	33712-KC5-003	GROMMET, taillight mount	2	2		20	94201-25300	PIN, split, 2.5 x 30	2	2	
• 2	50803-NF4-610	NUT, cowl stay	5	5		21	94252-16100	PIN, lock, 16 mm	4	4	
3	61104-KA4-700	COLLAR, fender mount	2	2		22	96001-06020-00	BOLT, flange, SH, 6 x 20	2	2	
• 4	64100-NX4-680	COWLING, front	1	—							
•	64100-NX4-810	COWLING, front	—	1							
• 5	64109-NF5-750	SHEET, heat proof	1	1							
• 6	64200-NX4-680	SCREEN	1	1							
• 7	64210-NX4-000	STAY, front cowl side	2	2							
• 8	64240-NX4-680	STAY, front cowl up	2	2							
• 9	77210-NX4-680	COWL, seat	1	1							
• 10	77220-NX4-000	RUBBER, seat	1	1							
• 11	77221-NF5-760	RUBBER, seat back	1	1							
12	90004-GHB-620	BOLT, flange NSHF 6 x 14	2	2							
• 13	90106-NF4-770	BOLT, cowl set, 6 x 13	5	5							
14	90108-GK1-000	BOLT, flange, SH, 6 x 12	2	2							
• 15	90653-NC8-000	SPRING, fastener, 35	6	6							
• 16	90654-NC8-000	GROMMET, fastener	6	6							
• 17	90655-NC8-000	STUD, fastener, 35	6	6							
• 18	90656-NX4-000	RIVET, 4 x 7	7	7							
• 19	91080-NC8-300	RIVET, 3.2 x 6.4	12	12							